



Pet Mate Ltd. guarantee your product for a period of 3 years from the date of purchase, subject to the registration of your purchase details on our website [www.pet-mate.com](http://www.pet-mate.com) within 14 days of purchase. (If you do not have access to a computer, please send details of your purchase with copy of receipt along with your name and address.) In the event of a fault developing contact Pet Mate customer services for a returns authorisation number. The guarantee is limited to any defect arising due to faulty materials or manufacture. Any defective item will be repaired or replaced free of charge at the manufacturer's discretion, provided that the defect has not been caused by neglect, misuse or normal wear and tear. This guarantee excludes damage caused by your pet, although replacement parts are available from our website. Your statutory rights are not affected.

#### **D** GARANTIE

Pet Mate Ltd. gewährt auf Ihr Produkt eine Garantie von 3 Jahren ab dem Kaufdatum, dass die Registrierung Ihres Produkts auf unserer Website [www.pet-mate.com](http://www.pet-mate.com) innerhalb von 14 Tagen des Kaufdatums erfolgt ist. (Wenn Sie keinen entsprechenden Computerzugang haben, senden Sie uns bitte Ihre Kaufangaben zusammen mit einer Kopie Ihres Einkaufsbelegs und Angabe Ihres Namens und Ihrer Adresse.) Sollte an Ihrem Produkt eine Störung auftreten, so kontaktieren Sie bitte den Kundendienst von Pet Mate, damit wir Ihnen eine Rücksendungs-Genehmigungsnummer übermitteln können. Die Garantie ist auf Mängel beschränkt, die auf fehlerhaftes Material oder Produktionsfehler zurückzuführen sind. Fehlerhafte Artikel werden nach Ermessen des Herstellers kostenlos repariert oder ersetzt, vorausgesetzt, dass der Defekt nicht durch ein Missgeschick, Vernachlässigung, falsche Bedienung oder normale Abnutzung verursacht wurde. Diese Garantie gilt nicht für Schäden, die durch Ihr Haustier verursacht wurden. Ersatzteile können aber auf unserer Website bestellt werden. Ihre gesetzlichen Rechte sind nicht betroffen.

#### **F** GARANTIE

Pet Mate Ltd garantit votre produit pour une période de 3 ans à compter de la date d'achat, sous réserve d'enregistrement des détails de votre achat sur notre site [www.pet-mate.com](http://www.pet-mate.com) dans les 14 jours suivant l'achat. (Si vous n'avez pas accès à un ordinateur, veuillez envoyer les détails de votre achat avec une copie du reçu, accompagnée de votre nom et de votre adresse.) En cas de panne/mauvais fonctionnement, contactez Pet Mate pour obtenir un numéro d'autorisation de retour. Les articles défectueux seront remplacés ou réparés gratuitement à la discrétion du fabricant, sous réserve que le mauvais fonctionnement ne soit pas le résultat d'un usage inadéquat ou abusif ou d'une usure normale. Cette garantie exclut les dommages causés par votre animal de compagnie. Les pièces de rechange sont disponibles sur notre site. Ces conditions n'affectent pas vos droits statutaires.

#### **E** GARANTÍA

Pet Mate Ltd. garantiza su producto durante un período de 3 años a partir de la fecha de compra, siempre y cuando haya registrado los detalles de su compra en nuestro sitio web, [www.pet-mate.com](http://www.pet-mate.com), durante los 14 días posteriores a la fecha de compra. (Si no tuviera acceso a un ordenador, por favor, envíe los detalles de su compra junto con una copia del recibo, su nombre y dirección.) En caso de producirse un fallo, póngase en contacto con Servicio al Cliente de Pet Mate para obtener un número de autorización de devolución. La garantía se limita a aquellos fallos que se produzcan como consecuencia de materiales o fabricación defectuosos. Todo artículo defectuoso se reparará o reemplazará a la discreción del fabricante, siempre y cuando el defecto no haya sido causado por negligencia, uso indebido o el uso y desgaste normales. Esta garantía excluye los daños causados por su mascota. En nuestro sitio web encontrará las piezas de recambio que necesite. Sus derechos estatutarios no resultarán afectados.

#### **NL** GARANTIE

Pet Mate Ltd. garandeert uw product gedurende 3 jaar na koopdatum, vanaf de koopdatum en afhankelijk van de registratie binnen 14 dagen na aankoop van uw koopgegevens op onze website [www.pet-mate.com](http://www.pet-mate.com). (Als u geen toegang tot een computer hebt, wilt u dan de gegevens over uw aanschaf samen met een kopie van uw koopbewijs inclusief uw naam en adres opsturen.) Mocht zich een defect voordoen, neemt u dan contact op met de klantendienst van Pet Mate en u ontvangt een autoriseringsnummer voor retour. Deze garantie betreft slechts defecten ten gevolge van materiaal- of fabrieksfout. Elk defect onderdeel wordt gratis gerepareerd of vervangen, dit ter beoordeling van de fabrikant, en op voorwaarde dat het defect niet ontstaan is door onzorgvuldigheid, onjuist gebruik of door normale slijtage. Deze garantie is exclusief beschadigingen die ontstaan zijn door u dier, echter vervangende onderdelen zijn te bestellen via onze website. Dit heeft geen effect op uw vastgelegde rechten.



Hereby, Pet Mate Ltd., declares that this product is in compliance with the essential requirements and other relevant provisions of EU Directives. All Declarations of Conformity (DoC) may be viewed at [www.pet-mate.com/eudoc](http://www.pet-mate.com/eudoc).

#### **D**

Pet Mate Ltd. erklärt, dass dieses Produkt den grundlegenden Anforderungen und anderen zutreffenden Bestimmungen von EU-Richtlinien entspricht. Alle Konformitätserklärungen können unter [www.pet-mate.com/eudoc](http://www.pet-mate.com/eudoc) aufgerufen werden.

#### **F**

Pet Mate Ltd. déclare par la présente que ce produit est conforme aux exigences essentielles et aux autres dispositions pertinentes des directives de l'UE. Toutes les déclarations de conformité peuvent être consultées à l'adresse [www.pet-mate.com/eudoc](http://www.pet-mate.com/eudoc).

#### **E**

Por el presente, Pet Mate Ltd. declara que este producto cumple los requisitos esenciales y demás provisiones oportunas de las Directivas UE. Todas las Declaraciones de Conformidad (DoC) pueden verse en [www.pet-mate.com/eudoc](http://www.pet-mate.com/eudoc).

#### **NL**

Hierbij verklaart Pet Mate Ltd. dat dit product voldoet aan de essentiële eisen en overige relevante voorschriften van EU Richtlijnen. Alle verklaringen van overeenstemming (DoC) zijn te lezen op [www.pet-mate.com/eudoc](http://www.pet-mate.com/eudoc).



**IMPORTANT:** Dispose of damaged/faulty/end-of-life products in accordance with locally applicable regulations for your country. **EU:** Refer to Terms and Conditions section *EU Waste Electrical and Electronic Equipment (WEEE) Directive* on [www.pet-mate.com](http://www.pet-mate.com) for more information.

#### **D**

**WICHTIG:** Beschädigte, fehlerhafte Produkte und Altprodukte müssen in Übereinstimmung mit den im Verwendungsland geltenden örtlichen Bestimmungen entsorgt werden. **EU:** Weitere Informationen dazu können in den Allgemeinen Geschäftsbedingungen im Abschnitt zur EU-Richtlinie über Elektro- und Elektronik-Altgeräte (WEEE-Richtlinie) unter [www.pet-mate.com](http://www.pet-mate.com) aufgerufen werden.

#### **F**

**IMPORTANT :** mettez au rebut les produits endommagés/défectueux/en fin de vie en respectant les réglementations locales en vigueur dans votre pays. **UE:** reportez-vous à la section Modalités et conditions de la directive européenne relative aux déchets d'équipements électriques et électroniques (DEEE) sur [www.pet-mate.com](http://www.pet-mate.com) pour plus d'informations.

#### **E**

**IMPORTANTE:** Elimine los productos dañados/defectuosos/gastados en conformidad con los reglamentos locales aplicables en su país. **UE:** Para más información, consulte la sección de Términos y Condiciones, Directiva sobre Residuos de Aparatos Eléctricos y Electrónicos (RAEE) en [www.pet-mate.com](http://www.pet-mate.com).

#### **NL**

**BELANGRIJK!** Beschadigde/defecte/afgedankte producten afvoeren in overeenstemming met de lokaal geldende voorschriften van uw land. **EU:** Voor aanvullende informatie kunt u de paragraaf met Richtlijnen voor Afgedankte Elektrische en Elektronische Apparatuur in de Algemene Voorwaarden van de EU (AEEA) op [www.pet-mate.com](http://www.pet-mate.com) raadplegen.

# CAT MATE® C300

36606/1118

## INSTRUCTIONS

Gebrauchsanleitung · Mode d'emploi · Instrucciones · Instructies

IMPORTANT - PLEASE READ BEFORE USE

## AUTOMATIC PET FEEDER WITH DIGITAL TIMER

#### **D**

## WICHTIG - BITTE VOR MONTAGE DURCHLESEN (Seiten 5 - 6) FUTTERAUTOMAT MIT DIGITALEM TIMER

#### **F**

IMPORTANT - A LIRE AVANT USAGE (Pages 7 - 8)

## NOURRISSEUR AUTOMATIQUE AVEC MINUTERIE NUMÉRIQUE

#### **E**

IMPORTANTE - LEA ANTES DE USAR (Páginas 8 - 9)

## COMEDERO AUTOMÁTICO CON TEMPORIZADOR DIGITAL

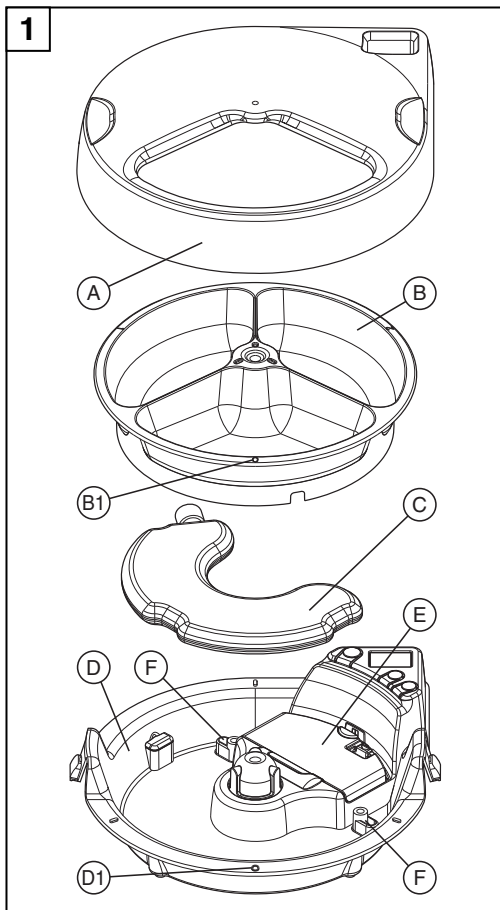
#### **NL**

BELANGRIJK! LEES DIT EERST VOOR GEBRUIK (Bladzijden 10 - 11)

## VOERAUTOMAT MET DIGITALE TIJDKLOK

[www.pet-mate.com](http://www.pet-mate.com)

+44 (0)1932 700 001  
N America (936) 760 4333



**Components: (Fig. 1)**

- |               |                          |
|---------------|--------------------------|
| A. Feeder lid | D. Base unit             |
| B. Food bowl  | E. Battery cover         |
| C. Ice pack   | F. Retaining clips (x 2) |

**LCD Display / Buttons: (Fig. 2)**

- |  |   |
|--|---|
| 1. ADJ/SET button                        | 5, 6. MEAL 1 - 2 indicators and feeding times |
| 2. Low battery indicator                 | 7. UP arrow button                            |
| 3. Clock display (states current time)   | 8. DOWN arrow button                          |
| 4. AM/PM indicators (12 hour clock mode) |   |

**D**

**Bauteile: (Abb. 1)**

- |                         |                      |
|-------------------------|----------------------|
| A. Futterbehälterdeckel | D. Grundgerät        |
| B. Futternapf           | E. Batteriedeckel    |
| C. Kühlakku             | F. Halteklipps (x 2) |

**LCD-Display / Tasten: (Abb. 2)**

- |   |  |
|---|--|
| 1. ADJ/SET-Taste (Einstellen/Speichern)     | 5, 6. MEAL 1 - 2 Anzeigen für Fütterung und Fütterzeiten |
| 2. Niedrige Batterie-Anzeige                | 7. AUFWÄRTS-Pfeiltaste                                   |
| 3. Uhrzeit-Display (zeigt aktuelle Zeit an) | 8. ABWÄRTS-Pfeiltaste                                    |
| 4. AM/PM-Anzeigen (12-Stunden-Uhrzeitmodus) |  |

**F**

**Composants : (fig. 1)**

- |                              |                           |
|------------------------------|---------------------------|
| A. Couverture du nourrisseur | D. Unité de base          |
| B. Bol à nourriture          | E. Couverture des piles   |
| C. Bloc-glace                | F. Clips de retenue (x 2) |

**Affichage à cristaux liquides / boutons : (fig. 2)**

- |   |   |
|---|---|
| 1. Bouton ADJ/SET   | 5, 6. REPAS 1 - 2 indicateurs et heures des repas |
| 2. Indicateur de piles faibles                                      | 7. Bouton fléché HAUT                             |
| 3. Affichage de l'horloge (indique l'heure actuelle)                | 8. Bouton fléché BAS                              |
| 4. Indicateurs AM/PM (matin/après-midi en mode d'horloge 12 heures) |   |

**E**

**Componentes: (Fig. 1)**

- |                      |                            |
|----------------------|----------------------------|
| A. Tapa del comedero | D. Unidad base             |
| B. Bol para comida   | E. Cubierta de pilas       |
| C. Bolsa de hielo    | F. Clips de sujeción (x 2) |

**Pantalla LCD / Botones: (Fig. 2)**

- |  |  |
|--|--|
| 1. Botón ADJ/SET   | 5, 6. Indicadores MEAL 1 - 2 y horas de comida |
| 2. Indicador de pila baja                                      | 7. Botón de flecha SUBIR                       |
| 3. Pantalla del reloj (indica la hora actual)                  | 8. Botón de flecha BAJAR                       |
| 4. Indicadores AM/PM (mañana/tarde) (modo horario de 12 horas) |  |

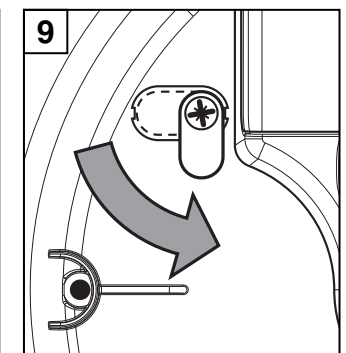
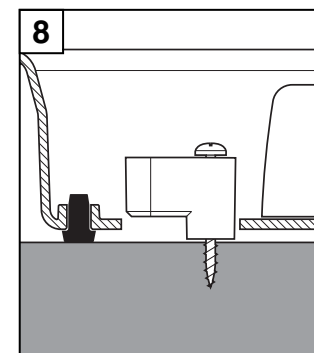
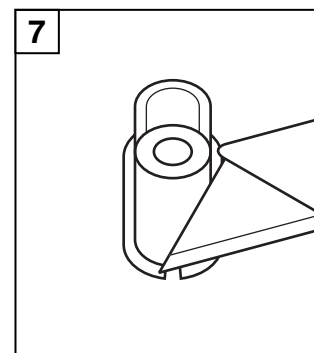
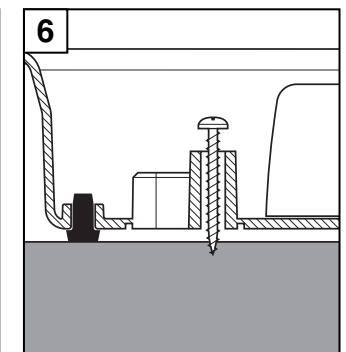
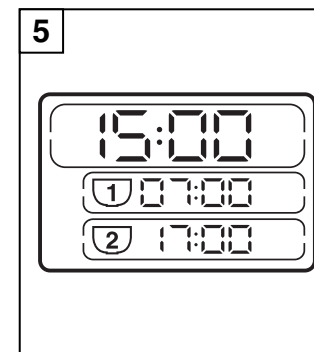
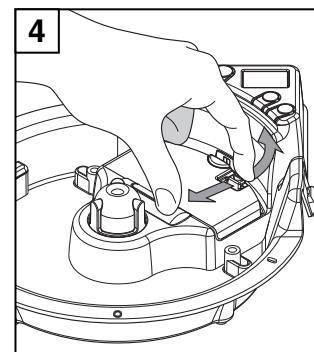
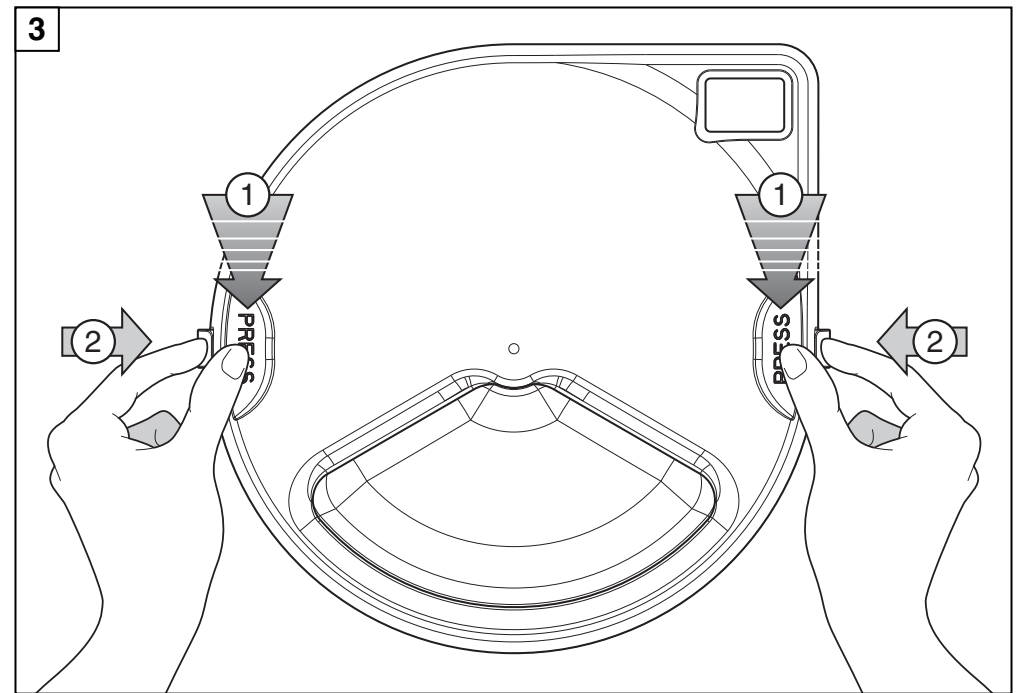
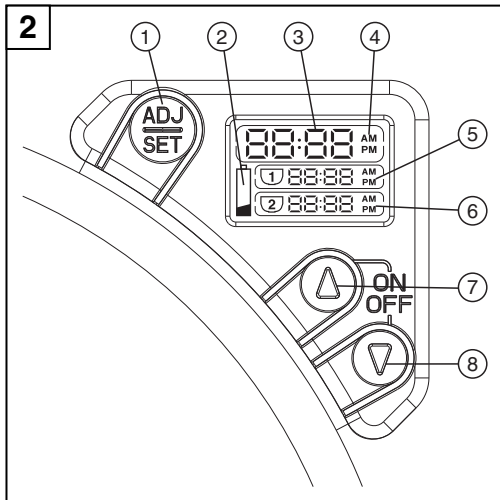
**NL**

**Onderdelen: (afb. 1)**

- |                       |                              |
|-----------------------|------------------------------|
| A. Deksel voerautomat | D. Basisstation              |
| B. Voerbak            | E. Batterijklepje            |
| C. Ijszak             | F. Bevestigingsklemmen (x 2) |

**LCD Display / Knoppen: (afb. 2)**

- |   |   |
|---|---|
| 1. Knop ADJ/SET (bijstellen)                | 5, 6. MAALTIJD 1-2 indicatielampjes en voedingstijden |
| 2. Indicatielampje lage batterijspanning    | 7. Pijlknop omhoog (UP)                               |
| 3. Klok display (geeft werkelijke tijd aan) | 8. Pijlknop omlaag (DOWN)                             |
| 4. AM/PM-indicatoren (12-uursmodus)         |   |



## IMPORTANT SAFETY INSTRUCTIONS

- Read all instructions before installing or using this product.
- Register your purchase on-line at [www.pet-mate.com](http://www.pet-mate.com) (see guarantee).
- Do not allow children to play with this product.
- Inspect product regularly for correct operation and damage. Do not use if in doubt.
- This product is designed for use with pets only, as described in these instructions.
- Dispose of all packaging material properly.

*NOTE: Plastic bags could cause suffocation - keep away from children and animals.*

## SAVE THESE INSTRUCTIONS

### 1. Battery installation / bowl alignment

1.1 Remove feeder lid by pressing down lid and pushing in the sprung clips on both sides (Fig. 3). Lift the food bowl off the feeder base and remove the battery cover by releasing the retaining clip (Fig. 4).

1.2 Insert 3 x AA batteries using the orientation symbols marked on the inside of the compartment. Replace the battery cover.

After a short period of self testing, the clock (ⓐ, Fig. 2) will show 12:00 AM outlined by a highlight frame with two feeding time indicators (ⓑ and ⓒ, Fig. 2), showing -- : -- beneath.

Temporarily replace the food bowl and lid. If the lid and bowl are not correctly aligned, remove lid then press ADJ/SET and UP buttons together to 3 seconds to achieve alignment.

Good quality alkaline batteries should normally last approximately 12 months (dependent on use). You may use all popular batteries including rechargeable and 1.5v lithium batteries but the low battery indicator will only work correctly with standard alkaline batteries.

### 2. Setting the clock

*NOTE: To change clock between 24 hour and 12 hour (AM/PM) formats, press and hold the ADJ/SET button together with the DOWN arrow button until the format changes.*

*If at any point during setting a button is not pressed within 30 seconds, all digits will stop flashing and any adjustments made will revert to default/previous settings.*

2.1 If necessary, move the highlight frame to outline the clock display using the UP or DOWN arrow buttons. To set the clock, press and hold the ADJ/SET button for 5 seconds until the hour figure starts to flash. Press the UP or DOWN arrow buttons to adjust the clock to the correct hour.

2.2 Press the ADJ/SET button and the minute figure will flash. Adjust using the UP or DOWN arrow buttons. Press ADJ/SET to save the setting.

### 3. Meal time setting

The C300 feeder will automatically serve meals at the same time(s) every day once you have set the required meal

times. For example, if you require one meal a day you need only set the time for MEAL 1 to allow feeding up to 2 days. If you require 2 meals in a day you will need to set the times of MEAL 1 and MEAL 2.

Set your pet's required daily meal times as follows:

*NOTE: Meal times will automatically sort into chronological order. The next meal will be served at the next set meal time, e.g. in Fig. 5 the current time is 15:00, so the next meal will be served at 17:00.*

3.1 Press the UP or DOWN arrow buttons to move the highlight frame to MEAL 1. Press and hold the ADJ/SET button for 3 seconds until the MEAL 1 hours starts to flash. Set the hours for MEAL 1 using the UP or DOWN arrow buttons. Press ADJ/SET to save setting.

3.2 The minute figure will flash. Adjust using the UP or DOWN arrow buttons. Press ADJ/SET to save setting.

*NOTE: Meal times can only be set in 10 minute increments.*

Repeat 3.1 and 3.2 for MEAL 2 if required.

3.3 To cancel a meal time setting use the UP or DOWN arrow buttons to highlight frame the relevant meal time. Press and hold the ADJ/SET button until meal time flashes. Then press the UP and DOWN arrow buttons together until the time disappears and display shows -- : -- .

### 4. Testing your C300 feeder

Your C300 feeder is manufactured from top quality materials and is assembled to comply with rigorous quality standards. Consequently, it should give you many years dependable use. However, we recommend you ensure its correct operation with your cat(s) while you are in attendance by completing set up as follows:

4.1 Fill the required number of bowls, starting clockwise from '1' (only fill bowl '0' if an immediate meal is required). Take care not to overfill the food bowls in order that the rotating lid is not fouled.

4.2 Insert pre-frozen ice pack and replace food bowl aligning '0' on food bowl (B1, Fig. 1) with '0' on base unit (D1, Fig. 1). (If the '0' on the food bowl does not align with the '0' on the base unit, press the ADJ/SET and UP arrow buttons together for 3 seconds to achieve alignment.)

4.3 Finally, replace feeder lid ensuring the sprung clips on each side click into position and place unit in required position. The meal in the bowl numbered '1' will be served at the next programmed meal time.

4.4 Always turn feeder off after use (see Section 9 below).

### 5. Especially for cats

When leaving your cat, do not forget to make adequate toilet arrangements for it. Cats and particularly kittens, should not be left alone for long periods without someone to check periodically that all is well. We also recommend the use of a CAT MATE fountain for supply of fresh water.

### 6. Especially for dogs

Most small dogs will readily adapt to an automatic feeder, but you are recommended to supervise your dog's first few encounters to ensure that it is unlikely to damage the unit - which may be a problem with puppies.

When leaving your dog, do not forget to make adequate toilet arrangements for it. Dogs, and particularly puppies, should not be left alone for long periods without someone to check periodically that all is well. We also recommend the use of a DOG MATE fountain for supply of fresh water.

For extra stability the feeder may be attached to a wooden baseplate as follows:

6.1 Remove the feeder lid and food bowl. Place feeder in desired position on wooden board, locate the two moulded-in retaining clips (F, Fig. 1) and mark a screw hole using a suitable screw down through the centre of each hole. (Fig 6).

6.2 Break out the retaining clips by carefully cutting retaining webs with a sharp knife (Fig. 7).

6.3 Replace clips in holes with the flat side of the clip uppermost and screw to board at marked screw positions using suitable screws (Fig. 8).

6.4 Turn clips to lock/unlock feeder to wooden base (Fig. 9).

### 7. Hints on food storage

Your C300 feeder is designed for use with all pet foods.

The C300 should always be used with its ice pack unless the surrounding temperature is less than 5°C. (40°F.). To freeze the ice pack before use, place in a freezer for at least 6 hours. Spare ice packs are available from your dealer or directly from [www.pet-mate.com](http://www.pet-mate.com).

When using your C300 feeder with wet food, ensure that the food comes from a freshly opened can/pack. If the weather is very warm, you are advised not to leave wet food for long periods and may prefer to serve dry food, which has better keeping qualities. If in doubt, please consult the manufacturer of your cats' wet food.

### 8. Positioning of feeder

The C300 feeder should be used indoors or in a garage or outbuilding and should be placed in a cool corner, shaded from sunlight and away from moisture.

### 9. Turning the feeder off and on

To turn off the feeder and keep the programmed settings, press and hold the UP and DOWN arrow buttons together until 'OFF' is displayed on the LCD. Repeat the procedure to turn the feeder back on.

### 10. Changing the batteries

When the low battery indicator (ⓐ, Fig. 2.) flashes on the LCD, alkaline batteries need replacing.

#### IMPORTANT:

- To keep the clock and all the meal settings, you must remove and replace all of the batteries within 60 seconds!
- DO NOT press any buttons during the removal or replacement of the batteries. Doing so will reset the unit and you will need to re-programme your settings.
- It is recommended to remove the batteries when the feeder is not to be used for prolonged periods.

### 11. Cleaning

The C300 feeder is very easy to clean. The lid and bowl will be washed in a dishwasher. The base unit can be wiped with a damp cloth. Under no circumstances should the base unit be immersed in water.

**D**

## WICHTIGE SICHERHEITSANWEISUNGEN

- Bitte lesen Sie vor dem Einbau oder der Verwendung dieses Produkts sämtliche Anweisungen.
- Registrieren Sie Ihr Produkt online unter [www.pet-mate.com](http://www.pet-mate.com) (siehe Garantie).
- Lassen Sie keine Kinder mit diesem Produkt spielen.
- Prüfen Sie das Produkt regelmäßig auf ordnungsgemäßen Betrieb und mögliche Anzeichen von Beschädigung. Im Zweifelsfall soll es nicht verwendet werden.
- Dieses Produkt ist nur geeignet zur Verwendung mit Haustieren und nur wie in der vorliegenden Bedienungsanleitung beschrieben.
- Entsorgen Sie alle Verpackungsmaterialien ordnungsgemäß.  
*HINWEIS: Plastikbeutel können Erstickungsgefahren verursachen und müssen außer Reichweite von Kindern und Tieren gehalten werden.*

## BITTE DIESE ANWEISUNGEN AUFBEWAHREN

### 1. Einlegen der Batterien / Ausrichten der Näpfe

1.1 Entfernen Sie den Futterbehälterdeckel, indem Sie auf den Deckel drücken und die Klipps an beiden Seiten hinunterschieben (Abb. 3). Heben Sie den Futternapf vom Grundgerät ab und entfernen Sie den Batteriedeckel, indem sie den Halteklipp lösen (Abb. 4).

1.2 Legen Sie drei AA-Batterien ein, wobei Sie unbedingt die Richtungssymbole im Batteriefach beachten. Setzen Sie den Batteriedeckel wieder auf.

Nach kurzem Selbsttest erscheint im LCD-Display (ⓐ, Abb. 2) die optisch hervorgehobene Zeitanzeige 12:00 AM mit zwei Fütterzeiten (ⓑ und ⓒ, Abb. 2) darunter, die zunächst -- : -- anzeigen.

Setzen Sie nun den Futternapf und den Deckel vorübergehend wieder ein. Wenn Deckel und Napf nicht ordnungsgemäß ausgerichtet sind, entfernen Sie den Deckel und drücken dann zum Ausrichten 3 Sekunden lang gleichzeitig auf die Taste ADJ/SET und die AUFWÄRTS-Pfeiltaste.

Alkali-Mangan-Batterien von guter Qualität halten im Normalbetrieb ungefähr 12 Monate (je nach Verwendungshäufigkeit). Sie können alle handelsüblichen Batterien einschließlich 1,5 V Lithiumbatterien verwenden. Die Niedrige Batterie-Anzeige funktioniert jedoch nur mit Alkali-Mangan-Batterien richtig.

### 2. Einstellen der Uhr

*HINWEIS: Um die Uhrzeitangabe zwischen dem 24-Stunden-Format und dem 12-Stunden-Format (AM/PM) umzustellen, drücken Sie gleichzeitig auf die Taste ADJ/SET und die ABWÄRTS-Pfeiltaste und halten beide gedrückt, bis sich das Anzeigeformat ändert.*

*Wenn eine fällige Taste beim Einstellen nicht innerhalb von 30 Sekunden gedrückt wird, hören alle Ziffern zu blinken auf. Daraufhin kehren die jeweils vorgenommenen Einstellungen auf ihre Standard- bzw. früher erfolgten Einstellungen zurück.*

2.1 Falls erforderlich, verwenden Sie die AUFWÄRTS- oder ABWÄRTS-Pfeiltasten zum Verschieben der hervorgehobenen Uhranzeige. Zum Einstellen der Uhr drücken Sie auf die ADJ/SET-Taste und halten Sie diese 5 Sekunden lang gedrückt, bis die Stunden-Ziffern zu blinken beginnen. Zum Verstellen der gewünschten Stundenanzeige drücken Sie auf die AUFWÄRTS- oder ABWÄRTS-Pfeiltasten.

2.2 Drücken Sie auf die ADJ/SET-Taste, woraufhin die Minutenziffern zu blinken beginnen. Zum Verstellen drücken Sie wie gewünscht auf die AUFWÄRTS- oder ABWÄRTS-Pfeiltasten. Zur Speicherung der Einstellung drücken Sie auf ADJ/SET.

### 3. Einstellung der Fütterzeiten

Der Futterautomat C300 gibt nach erfolgter Einstellung der Fütterzeit(en) jeden Tag ein- oder mehrmals automatisch die entsprechenden Portionen aus. Wenn Sie beispielsweise eine einzige tägliche Futtermittelabgabe wünschen, brauchen Sie nur die Ausgabzeit für „MEAL 1“ einstellen, die dann bis zu 2 Tage lang bestehen bleiben kann. Wenn Sie 2 Futtermittelabgaben am Tag wünschen, müssen Sie die Zeiten für „MEAL 1“ und „MEAL 2“ einstellen.

Die für Ihr Haustier gewünschten Fütterzeiten werden folgendermaßen eingestellt:

**HINWEIS:** Die Fütterzeiten werden automatisch in zeitlicher Reihenfolge angezeigt. Die nächste Portion wird dann bei der nächsten programmierten Fütterzeit ausgegeben. (Beispiel: Abb. 5 zeigt die aktuelle Zeit als 15:00, womit also die nächste Portion um 17:00 Uhr ausgegeben wird.)

3.1 Mithilfe der AUFWÄRTS- oder ABWÄRTS-Pfeiltasten gehen Sie zu „MEAL 1“. Drücken Sie auf die ADJ/SET-Taste und halten Sie diese 3 Sekunden lang gedrückt, bis die Stundenziffern für „MEAL 1“ zu blinken beginnen. Stellen Sie nun mithilfe der AUFWÄRTS- oder ABWÄRTS-Pfeiltasten die für „MEAL 1“ gewünschte Zeit in Stunden ein. Zur Speicherung Ihrer Einstellung drücken Sie auf ADJ/SET.

3.2 Die Minutenziffern beginnen zu blinken. Zum Verstellen drücken Sie wie gewünscht auf die AUFWÄRTS- oder ABWÄRTS-Pfeiltasten. Zur Speicherung Ihrer Einstellung drücken Sie auf ADJ/SET.

**HINWEIS:** Die Fütterzeiten können nur in Intervallen von jeweils 10 Minuten festgesetzt werden.

Falls gewünscht, wiederholen Sie 3.1 und 3.2 für „MEAL 2“.

3.3 Zur Löschung einer Fütterzeit gehen Sie mithilfe der AUFWÄRTS- oder ABWÄRTS-Pfeiltasten zur entsprechenden Fütterzeit. Drücken Sie auf die ADJ/SET-Taste und halten Sie diese gedrückt, bis die Fütterzeit zu blinken beginnt. Dann drücken Sie die AUFWÄRTS- oder ABWÄRTS-Pfeiltasten gleichzeitig, bis die Einstellung gelöscht ist.

### 4. Testen Ihres Futterautomaten C300

Ihr Futterautomat C300 ist aus erstklassigen Werkstoffen hergestellt und wird unter Beachtung der strengsten Qualitätsanforderungen zusammengebaut. Er wird daher viele Jahre lang zuverlässig funktionieren. Wir empfehlen Ihnen jedoch, die ordnungsgemäße Funktion mit Ihrer Katze bzw. Ihren Katzen folgendermaßen zu überprüfen:

4.1 Füllen Sie die gewünschte Anzahl von Näpfen, wobei Sie im Uhrzeigersinn mit „1“ beginnen (und Napf „0“ nur dann füllen, wenn eine sofortige Fütterung gewünscht wird). Achten Sie darauf, dass Sie die Näpfe nicht übermäßig befüllen, damit der Drehdeckel nicht blockiert wird.

4.2 Legen Sie gefrorenes Kühlakku ein und setzen Sie den Futternapf so ein, dass die an ihm befindliche „0“ (B1, Abb. 1) auf die „0“ am Grundgerät (D1, Abb. 1) ausgerichtet ist. (Wenn die am Futternapf befindliche „0“ nicht mit der „0“ am Grundgerät ausgerichtet ist, so drücken Sie zu ihrer entsprechenden Ausrichtung 3 Sekunden lang gleichzeitig auf die ADJ/SET-Taste und die AUFWÄRTS-Pfeiltaste.)

4.3 Abschließend setzen Sie den Futterbehälterdeckel wieder auf, wobei Sie darauf achten, dass die Klipps an beiden Seiten einrasten. Dann stellen Sie das Gerät an seinen gewünschten Platz. Die für Napf „1“ nummerierte Portion wird dann zur nächsten programmierten Fütterzeit ausgegeben.

4.4 Nach erfolgtem Gebrauch schalten Sie den Futterautomaten stets ab (siehe nachstehenden Abschnitt 9).

### 5. Besonders für Katzen

Wenn Sie Ihre Katze allein lassen, vergessen Sie nicht auf ein entsprechendes Katzenklo. Katzen und ganz besonders junge Kätzchen sollen nicht zu lange allein gelassen werden, wobei in entsprechenden Zeitabständen Nachschau gehalten werden soll. Wir empfehlen Ihnen auch die Verwendung eines CAT MATE Trinkbrunnens, damit Ihre Katze stets genug frisches Wasser erhält.

### 6. Besonders für Hunde

Die meisten kleinen Hunde gewöhnen sich schnell an einen Futterautomaten. Es empfiehlt sich jedoch, bei anfänglicher

Verwendung Ihren Hund zu beaufsichtigen, damit Sie sicherstellen können, dass der Hund das Gerät nicht beschädigt - was besonders bei Welpen ein Problem bilden kann.

Wenn Sie Ihren Hund allein lassen, vergessen Sie nicht auf ein entsprechendes Hundeklo. Hunde und ganz besonders Welpen sollen nicht zu lange allein gelassen werden, wobei in entsprechenden Zeitabständen Nachschau gehalten werden soll. Wir empfehlen Ihnen auch die Verwendung eines DOG MATE Trinkbrunnens, damit Ihr Hund stets genug frisches Wasser erhält. Zur Erhöhung der Standfestigkeit kann der Futterautomat wie folgt auf einer Standplatte aus Holz befestigt werden:

6.1 Nehmen Sie den Futterbehälterdeckel und den Futternapf ab. Stellen Sie den Futterautomaten auf die anzubringende Stelle auf der Holzplatte. Markieren Sie die Position der bei den eingegossenen Halteklipps (F, Abb. 1) befindlichen Schraubenlöcher auf der Platte, wozu Sie am einfachsten eine passende Schraube einstecken und darauf drücken (Abb. 6).

6.2 Brechen Sie die Halteklipps vorsichtig heraus, indem Sie ihre Befestigungen mit einem scharfen Messer durchschneiden (Abb. 7).

6.3 Setzen Sie die Klipps mit ihrer flachen Seite nach oben weisend in die Löcher ein und schrauben Sie sie mit passenden Schrauben an den markierten Positionen an der Platte fest (Abb. 8).

6.4 Zur Befestigung des Futterautomaten auf der Holzplatte bzw. zur Entfernung davon drehen Sie die Klipps dann wie erforderlich (Abb. 9).

### 7. Hinweise zur Aufbewahrung von Futter

Ihr Futterautomat ist zur Verwendung mit Haustierfutter aller Art geeignet.

Der C300 soll stets mit den Kühlakku verwendet werden, außer wenn die Umgebungstemperatur unter 5° C beträgt. Zum Gefrieren der Kühlakku legen Sie diese mindestens 6 Stunden lang in einen Gefrierschrank. Reserve-Kühlakkus sind bei Ihrem Fachhändler oder direkt von [www.pet-mate.com](http://www.pet-mate.com) erhältlich.

Wenn Sie Ihren Futterautomaten C300 mit Nassfutter verwenden, soll dies stets aus einer frisch geöffneten Dose bzw. Packung entnommen werden. Bei sehr warmem Wetter soll Nassfutter nicht zu lange verwendet werden. Trockenfutter ist dann vorzuziehen, da es länger haltbar ist. Im Zweifelsfall holen Sie bitte beim Hersteller des Nassfutters Rat ein.

### 8. Platzierung des Futterautomaten

Der Futterautomat C300 ist zur Verwendung in Innenräumen, Garagen oder Außengebäuden vorgesehen, wobei er in einem kühlen, vor Sonneneinstrahlung und Feuchtigkeit geschützten Bereich aufgestellt werden soll.

### 9. Ein- und Ausschalten des Futterautomaten

Zum Ausschalten des Futterautomaten unter Beibehaltung der programmierten Einstellungen drücken Sie gleichzeitig die AUFWÄRTS- und ABWÄRTS-Pfeiltasten, bis im LCD-Display „OFF“ erscheint. Zum Wiedereinschalten des Futterautomaten wiederholen Sie diesen Vorgang.

### 10. Auswechseln der Batterien

Wenn die Niedrige Batterie-Anzeige (Ⓜ) in Abb. 2) im LCD-Display blinkt, müssen die Alkali-Mangan-Batterien ausgetauscht werden.

### WICHTIG:

• Damit die eingestellte Uhrzeit und alle Fütterzeiten beibehalten werden, müssen alle Batterien innerhalb eines Zeitraums von 60 Sekunden ausgetauscht werden!

• Drücken Sie während des Herausnehmens und des Einlegens neuer Batterien auf KEINERLEI Tasten. Damit würde nämlich der Futterautomat zurückgesetzt werden, wodurch dann alle Einstellungen neuerlich programmiert werden müssten.

• Es wird empfohlen, die Batterien zu entfernen, wenn der Futterautomat längere Zeit lang nicht betrieben wird.

### 11. Reinigung

Der Futterautomat C300 ist sehr leicht zu reinigen. Der Deckel und der Futternapf können in einer Geschirrspülmaschine gewaschen werden. Das Grundgerät kann mit einem feuchten Tuch abgewischt werden. Das Grundgerät darf auf keinen Fall in Wasser eingetaucht werden.

## IMPORTANT CONSIGNES DE SECURITE

• Veuillez lire attentivement toutes les instructions avant d'installer ou d'utiliser ce produit.

• Enregistrez votre achat en ligne à l'adresse [www.pet-mate.com](http://www.pet-mate.com) (voir la garantie).

• Ne laissez pas les enfants jouer avec ce produit.

• Inspectez régulièrement le produit pour vous qu'il fonctionne correctement et qu'il n'est pas endommagé. Ne l'utilisez pas en cas de doute.

• Ce produit est conçu pour être uniquement utilisé avec les animaux de compagnie, comme décrit dans ces instructions.

• Éliminez tous les matériaux d'emballage dans le respect des lois environnementales.

**REMARQUE :** les sacs en plastique peuvent provoquer la suffocation - tenez-les à l'écart des enfants et des animaux.

## CONSERVEZ CES INSTRUCTIONS

### 1. Installation des piles / alignement du bol

1.1 Retirez le couvercle du nourrisseur en appuyant dessus et en poussant les clips à ressort sur les deux côtés (fig. 3). Soulevez le bol à nourriture de la base et retirez le couvercle des piles en dégageant le clip de retenue (fig. 4).

1.2 Insérez 3 piles AA (R6), en respectant les symboles d'orientation marqués à l'intérieur du compartiment. Remettez le couvercle en place.

Après une courte période d'autotest, l'horloge (ⓐ), fig. 2) indique 12h00, entourée d'un cadre en surbrillance avec deux indicateurs d'heures de repas (ⓑ et ⓒ), fig. 2), affichant -- : -- au-dessous.

Remettez temporairement en place le bol et le couvercle. Si le couvercle et le bol ne sont pas correctement alignés, retirez le couvercle puis appuyez simultanément sur les touches ADJ/SET et UP pendant 3 secondes pour les aligner.

Les piles alcalines de bonne qualité devraient normalement durer environ 12 mois (selon l'utilisation). Vous pouvez utiliser tous les types de piles populaires, y compris les piles 1,5V rechargeables et au lithium, mais l'indicateur de faible niveau des piles ne fonctionne qu'avec les piles alcalines standard.

### 2. Réglage l'horloge

**REMARQUE :** pour commuter l'horloge de l'affichage entre les formats 24 et 12 heures (AM/PM), maintenir le bouton ADJ/SET enfoncé avec la touche fléchée BAS jusqu'à ce que le format change.

Si, à tout moment pendant le réglage, vous n'appuyez sur aucun bouton pendant 30 secondes, tous les chiffres cesseront de clignoter et les modifications apportées reviendront aux réglages par défaut/précédents.

2.1 Si nécessaire, déplacez le cadre en surbrillance pour sélectionner l'affichage de l'horloge en utilisant le bouton fléchés HAUT ou BAS. Pour régler l'horloge, maintenez le bouton ADJ/SET enfoncé pendant 5 secondes jusqu'à ce que le chiffre de l'heure se mette à clignoter. Appuyez sur les boutons fléchés HAUT ou BAS pour régler l'horloge sur l'heure correcte.

2.2 Appuyez sur le bouton ADJ/SET, et le chiffre des minutes se mettra à clignoter. Réglez à l'aide des boutons fléchés HAUT ou BAS. Appuyez sur ADJ/SET pour sauvegarder le réglage.

### 3. Réglage des heures des repas

Une fois que vous aurez défini les heures de repas nécessaires, le nourrisseur C300 servira automatiquement les repas à la

même heure (aux mêmes heures) chaque jour. Par exemple, si vous avez besoin d'un repas par jour seulement, il vous suffira de définir l'heure pour le REPAS 1 pour permettre jusqu'à 2 jours d'alimentation de votre animal. Si vous souhaitez distribuer 2 repas par jour, vous devrez régler l'heure des deux repas (« MEAL 1 » et « MEAL 2 »).

Définissez les heures des repas quotidiens de vos animaux comme suit :

**REMARQUE :** les heures de repas seront automatiquement classées par ordre chronologique. Le prochain repas sera servi à l'heure suivante ; par exemple, à la fig. 5, l'heure actuelle est 15h00, le prochain repas sera donc servi à 17h00.

3.1 Appuyez sur les boutons fléchés HAUT ou BAS pour placer le cadre de sélection sur REPAS 1. Maintenez le bouton ADJ/SET enfoncé pendant 3 secondes jusqu'à ce que les heures du REPAS 1 commencent à clignoter. Réglez les heures pour le REPAS 1 en utilisant les boutons fléchés HAUT ou BAS. Appuyez sur ADJ/SET pour sauvegarder le réglage.

3.2 Le chiffre des minutes clignotera. Réglez à l'aide des boutons fléchés HAUT ou BAS. Appuyez sur ADJ/SET pour sauvegarder le réglage.

**REMARQUE :** les heures de repas ne peuvent se régler que par intervalles de 10 minutes.

Répétez les étapes 3.1 et 3.2 pour « MEAL 2 » si nécessaire.

3.3 Pour annuler un repas, utilisez les boutons fléchés HAUT ou BAS pour mettre le cadre en surbrillance sur l'heure de repas souhaitée. Maintenez le bouton ADJ/SET enfoncé jusqu'à ce que l'heure des repas clignote. Ensuite, appuyez sur les boutons fléchés HAUT et BAS simultanément jusqu'à ce que le réglage soit annulé.

### 4. Test de votre nourrisseur C300

Votre nourrisseur C300 est fabriqué dans des matériaux de qualité supérieure et assemblé en conformité avec des normes de qualité rigoureuses. Par conséquent, il devrait vous offrir de nombreuses années d'utilisation fiable. Toutefois, nous vous recommandons de vérifier son bon fonctionnement avec votre(vos) chat(s) pendant que vous êtes présent en finalisant le réglage comme suit :

4.1 Remplissez le nombre de bols requis, en procédant dans le sens des aiguilles d'une montre à partir de « 1 » (le bol « 0 » n'est requis que lorsqu'un repas immédiat est nécessaire). Prenez soin de ne pas trop remplir les bols, afin de ne pas salir le dessous du couvercle rotatif.

4.2 Insérez le bloc de congélation précongelé et remettez le bol à nourriture en place en alignant le « 0 » sur le bol (B1, fig. 1) avec le « 0 » sur la base (D1, fig. 1). (Si le « 0 » du bol à nourriture ne s'aligne pas avec le « 0 » de la base, appuyez sur les boutons fléchés ADJ/SET et HAUT simultanément pendant 3 secondes pour effectuer l'alignement.)

4.3 Enfin, remplacez le couvercle du nourrisseur en veillant à ce que les clips à ressort de chaque côté cliquent en position, et placez l'appareil dans la position souhaitée. Le repas dans le bol numéroté « 1 » sera servi à la prochaine heure de repas programmée.

4.4 Éteignez toujours le nourrisseur après utilisation (voir section 9 ci-dessous).

### 5. Remarque pour les chats

Lorsque vous laissez votre chat sans surveillance, n'oubliez pas de prendre des dispositions d'hygiène adéquates pour lui. Les chats, et les chatons en particulier, ne doivent pas rester seuls pendant de longues périodes sans que quelqu'un puisse vérifier régulièrement que tout se passe bien. Nous recommandons également l'utilisation d'une fontaine CAT MATE pour l'approvisionnement en l'eau fraîche.

### 6. Remarque pour les chiens

La plupart des petits chiens s'adaptent facilement à un nourrisseur automatique, mais il vous est recommandé de surveiller les premières utilisations de l'appareil par votre chien afin de minimiser le risque qu'il endommage le nourrisseur - ceci peut être un problème avec les chiots.

Lorsque vous laissez votre chien sans surveillance, n'oubliez pas de prendre des dispositions d'hygiène adéquates pour lui. Les chiens, et les chiots en particulier, ne doivent pas rester seuls pendant de longues périodes sans que quelqu'un puisse vérifier régulièrement que tout se passe bien. Nous recommandons également l'utilisation d'une fontaine DOG MATE pour l'approvisionnement en l'eau fraîche.

Pour une stabilité accrue, il est possible de fixer le nourrisseur à un socle en bois, comme suit :

- 6.1 Retirer le couvercle du nourrisseur et le bol à nourrir. Placer le nourrisseur dans la position désirée sur le socle en bois, positionner les clips de retenue moulés (F, fig. 1) et marquer un trou de vissage à l'aide d'une vis appropriée au centre de chaque trou (fig. 6).
- 6.2 Sortir les clips de fixation en coupant soigneusement les bandes de retenue avec un couteau pointu (fig. 7).
- 6.3 Remettre les clips en place dans les trous, avec le côté plat du clip vers le haut, et visser au socle à la position des vis marquées à l'aide de vis appropriées (fig. 8).
- 6.4 Tourner les clips pour verrouiller/déverrouiller le nourrisseur au socle en bois (fig. 9).

### 7. Conseils pour conserver la nourriture

Votre nourrisseur C300 est conçu pour pouvoir s'utiliser avec tous les aliments pour animaux de compagnie.

Il doit toujours être utilisé avec son bloc-glace, excepté si la température ambiante est inférieure à 5°C. (40°F.). Pour congeler le bloc de congélation avant utilisation, placez-les au congélateur pendant au moins 6 heures. Des blocs-glace de rechange sont disponibles auprès de votre revendeur ou directement chez [www.pet-mate.com](http://www.pet-mate.com).

Lorsque vous utilisez votre nourrisseur C300 avec des aliments humides, veillez à ce que la nourriture provienne d'un paquet/d'une boîte récemment ouvert(e). Par temps très chaud, il est conseillé de ne pas laisser de la nourriture humide pendant de longues périodes et de servir de préférence des aliments secs, qui présentent de meilleures qualités de conservation. En cas de doute, veuillez consulter le fabricant de la nourriture humide de votre chat.

### 8. Positionnement du nourrisseur

Le nourrisseur C300 doit s'utiliser à l'intérieur ou dans un garage ou une dépendance et doit être placé dans un coin ombragé et frais, à l'abri du soleil et de l'humidité.

### 9. Pour allumer et éteindre le nourrisseur

Pour éteindre le nourrisseur et garder les réglages programmés, maintenez les boutons fléchés HAUT et BAS enfoncés simultanément jusqu'à ce que la mention « OFF » s'affiche à l'écran. Répétez la procédure pour le rallumer.

### 10. Changement des piles

Lorsque l'indicateur de piles faibles (Ⓜ, fig. 2.) clignote à l'écran, cela signifie qu'il est nécessaire de changer les piles alcalines.

#### IMPORTANT :

- Pour conserver tous les réglages de l'horloge et des repas, vous devrez enlever et remplacer toutes les piles dans un délai de 60 secondes !
- N'appuyez pas sur les boutons pendant que vous enlevez ou remplacez les piles. Cela aurait pour effet de réinitialiser l'appareil, et vous auriez besoin de reprogrammer vos paramètres.
- Il est recommandé d'enlever les piles lorsque le nourrisseur n'est pas utilisé pendant des périodes prolongées.

### 11. Nettoyage

Le nourrisseur C300 est très facile à nettoyer. Le couvercle et le bol peuvent être lavés au lave-vaisselle. La base peut s'essuyer avec un chiffon humide. Elle ne devra en aucun cas être immergée dans l'eau.

## INSTRUCCIONES IMPORTANTES DE SEGURIDAD

- Lea todas las instrucciones antes de instalar o utilizar este producto.
- Registre su compra en línea en [www.pet-mate.com](http://www.pet-mate.com) (consulte la garantía).
- No permita jugar a los niños con este producto.
- Inspeccione el producto regularmente para observar que funciona correctamente y no hay daños. No lo utilice si tiene dudas.
- Este producto se ha diseñado para el uso con mascotas exclusivamente, como se describe en estas instrucciones.
- Elimine apropiadamente todo el material de embalaje.

*NOTA: Las bolsas de plástico pueden causar asfixia - manténgalas alejadas de los niños y los animales.*

## CONSERVE ESTAS INSTRUCCIONES

### 1. Instalación de pilas / alineación del bol

1.1 Retire la tapa del comedero presionándola y empujando hacia adentro los clips de resorte situados a cada lado (Fig. 3). Extraiga el bol para comida de la base del comedero y retire la cubierta de las pilas soltando el clip de sujeción (Fig. 4).

1.2 Inserte 3 pilas AA siguiendo los símbolos de orientación marcados en el interior del compartimento. Vuelva a colocar la cubierta de las pilas.

Después de un corto período de autocomprobación, el reloj (Ⓜ, Fig. 2) mostrará 12:00 AM (mañana) resaltado por un marco luminoso con dos indicadores de horas de comida (Ⓜ y Ⓜ, Fig. 2), mostrando -- : -- por debajo.

Vuelva a colocar temporalmente el bol para comida y la tapa. Si el bol y la tapa no están alineados correctamente, retire la tapa y pulse juntos los botones ADJ/SET y SUBIR durante 3 segundos para conseguir la alineación.

Normalmente, las pilas alcalinas de buena calidad durarán unos 12 meses (dependiendo del uso). Puede utilizar todas las pilas comunes, incluidas las pilas recargables y las de litio de 1,5v, pero el indicador de pila baja solo funcionará correctamente con las pilas alcalinas estándar.

### 2. Ajuste del reloj

*NOTA: Para cambiar el reloj entre los formatos de 24 horas y 12 horas (AM/PM) (mañana/tarde), pulse y sujete el botón ADJ/SET junto con el botón de flecha BAJAR hasta que cambie el formato.*

*Si en cualquier momento durante el ajuste, no se pulsa un botón durante 30 segundos, todos los dígitos dejarán de destellar y los ajustes realizados pasarán de nuevo a los ajustes por defecto/anteriores.*

2.1 Si fuera necesario, mueva el marco resaltado a la pantalla del reloj utilizando el botón de flecha SUBIR o BAJAR. Para ajustar el reloj, pulse y sujete el botón ADJ/SET durante 5 segundos, hasta que la cifra de la hora comience a destellar. Pulse los botones de flecha SUBIR o BAJAR para ajustar el reloj a la hora correcta.

2.2 Pulse el botón ADJ/SET y la cifra de los minutos destellará. Ajuste utilizando los botones de flecha SUBIR o BAJAR. Pulse ADJ/SET para guardar el ajuste.

### 3. Ajuste de las horas de comida

El comedero C300 servirá comidas automáticamente a la misma hora(s) todos los días, una vez que se hayan ajustado las horas requeridas. Por ejemplo, si usted requiere dispensar una comida al día, solo deberá ajustar la hora de MEAL 1 para dispensar comida hasta 2 días. Si requiere 2 comidas al día, deberá ajustar las horas para MEAL 1 y MEAL 2.

Ajuste las horas diarias de comida de su mascota de la siguiente manera:

*NOTA: Las horas de comida se ordenarán automáticamente por orden cronológico. La siguiente comida se servirá a la siguiente hora de comida, p. ej., en la Fig. 5, la hora actual es 15:00, por lo que la siguiente comida se servirá a las 17:00.*

3.1 Pulse los botones de flecha SUBIR o BAJAR para mover el marco resaltado a MEAL 1. Pulse y sujete el botón ADJ/SET durante 3 segundos, hasta que las horas de MEAL 1 comiencen a destellar. Ajuste las horas de MEAL 1 utilizando los botones de flecha SUBIR o BAJAR. Pulse ADJ/SET para guardar el ajuste.

3.2 La figura de los minutos destellará. Ajuste utilizando los botones de flecha SUBIR o BAJAR. Pulse ADJ/SET para guardar el ajuste.

*NOTA: Las horas de las comidas solo pueden ajustarse en incrementos de 10 minutos.*

Repita 3.1 y 3.2 para MEAL 2, si fuera necesario.

3.3 Para cancelar el ajuste de una hora de comida, utilice los botones de flecha SUBIR o BAJAR para trasladar el marco resaltado a la hora de comida oportuna. Pulse y sujete el botón ADJ/SET hasta que la hora de la comida destelle. A continuación, pulse los botones de flecha SUBIR y BAJAR al mismo tiempo hasta que se cancele el ajuste.

### 4. Comprobación del comedero C300

El comedero C300 se ha fabricado con materiales de calidad superior y su montaje cumple rigurosas normas de calidad. Por lo tanto, deberá ofrecerle muchos años de funcionamiento sin problemas. No obstante, le recomendamos que compruebe el funcionamiento correcto con su gato(s) bajo supervisión, finalizando la configuración de la manera siguiente:

- 4.1 Llene el número requerido de boles, comenzando por la derecha desde '1' (el bol '0' solo deberá llenarse si se requiere una comida inmediatamente). No llene los boles en exceso para no manchar la tapa rotativa.
- 4.2 Inserte la bolsa de hielo precongelado y vuelva a colocar el bol de comida alineando el '0' del bol de comida (B1, Fig. 1) con el '0' de la unidad base (D1, Fig. 1). (Si el '0' del bol de comida no se alinea con el '0' de la unidad base, pulse los botones ADJ/SET y de flecha SUBIR al mismo tiempo durante 3 segundos para conseguir la alineación.)
- 4.3 Finalmente, coloque la tapa del comedero asegurándose de que los clips de resorte se ajusten en posición con un clic, y sitúe la unidad en la posición requerida. La comida del bol número '1' se servirá a la siguiente hora programada de comida.
- 4.4 Apague siempre el comedero después del uso (consulte la Sección 9 más adelante).

### 5. Especialmente para gatos

Al dejar solo a su gato, asegúrese de haber tomado las medidas sanitarias adecuadas. Los gatos, y particularmente las crías, no se deberán dejar solos durante períodos largos sin que haya una persona encargada de la supervisión periódica. También le recomendamos el uso de una fuente CAT MATE para suministro de agua fresca.

### 6. Especialmente para perros

La mayoría de los perros pequeños se adaptarán rápidamente a un comedero automático, pero le recomendamos que

supervise a su perro las primeras veces que lo utilice para asegurarse de que no dañe la unidad - lo cual podría ser un problema con los cachorros.

Al dejar solo a su perro, asegúrese de haber tomado las medidas sanitarias adecuadas. Los perros, y particularmente los cachorros, no se deberán dejar solos durante períodos largos sin que haya una persona encargada de la supervisión periódica. También le recomendamos el uso de una fuente DOG MATE para suministro de agua fresca.

Para mayor estabilidad, el comedero podrá acoplarse a una base de madera de la siguiente manera:

- 6.1 Retire la tapa del comedero y el bol de comida. Coloque el comedero en la posición deseada sobre la base de madera, localice los dos clips de sujeción moldeados (F, Fig. 1) y marque un agujero para el tornillo utilizando un tornillo adecuado pasado a través del centro de cada agujero (Fig. 6).
- 6.2 Rompa los clips de sujeción cortando cuidadosamente las bandas de retención con un cuchillo afilado (Fig. 7).
- 6.3 Vuelva a colocar los clips en los agujeros con el lado plano del clip hacia arriba, y atornille a la tabla en las posiciones marcadas para los tornillos utilizando tornillos adecuados (Fig. 8).
- 6.4 Gire los clips para acoplar/desacoplar el comedero de la base de madera (Fig. 9).

### 7. Consejos para el almacenamiento de comida

El comedero C300 se ha diseñado para el uso con todo tipo de comida para mascotas.

El C300 deberá utilizarse siempre con la bolsa de hielo, a menos que la temperatura ambiente sea inferior a 5°C (40°F). Para congelar la bolsa de hielo antes del uso, colóquelo en el congelador durante 6 horas como mínimo. Podrá obtener bolsas de hielo de reserva de su distribuidor o directamente de [www.pet-mate.com](http://www.pet-mate.com).

Al utilizar el comedero C300 con comida húmeda, asegúrese de que la comida proceda de una lata/paquete recién abierto. En clima cálido, le recomendamos que no deje comida húmeda durante períodos largos; el pienso seco podría ser preferible, ya que se conserva mejor. En caso de duda, consulte con el fabricante de la comida de su gato.

### 8. Colocación del comedero

El comedero C300 deberá utilizarse en el interior, o en un garaje o construcción exterior cubierta, y deberá situarse en una esquina fresca, a la sombra y alejado de la humedad.

### 9. Encendido y apagado del comedero

Para apagar el comedero y mantener los ajustes programados, pulse y sujete los botones de flecha SUBIR y BAJAR al mismo tiempo hasta que la LCD muestre 'OFF' (apagado). Repita el procedimiento para volver a encender el comedero.

### 10. Cambio de las pilas

Cuando el indicador de pila baja (Ⓜ, Fig. 2) destelle en la LCD, las pilas alcalinas necesitarán recambio.

#### IMPORTANTE:

- ¡Para conservar los ajustes del reloj y de todas las comidas, retire y reponga todas las pilas en un plazo de 60 segundos!
- NO pulse ningún botón durante la extracción o la reposición de las pilas. De lo contrario, la unidad se reajustará y usted tendrá que reprogramar todos los ajustes.
- Se recomienda retirar las pilas cuando el comedero no se vaya a utilizar durante períodos prolongados.

### 11. Limpieza

El comedero C300 es muy fácil de limpiar. La tapa y el bol pueden lavarse en un lavavajillas. La unidad base puede limpiarse con un paño húmedo. La unidad base no deberá sumergirse en agua bajo ninguna circunstancia.

## BELANGRIJK! VEILIGHEIDSLINSTRUCTIES

- Lees alle instructies voor of bij het gebruik van dit product.
  - Registreer uw aankoop online bij [www.pet-mate.com](http://www.pet-mate.com) (zie garantie).
  - Kinderen niet met dit product laten spelen.
  - Inspecteer het product regelmatig op correcte werking en eventuele beschadiging. Bij twijfel niet gebruiken.
  - Dit product is uitsluitend ontworpen voor gebruik met huisdieren, zoals beschreven in deze instructies.
  - Verwijder al het verpakkingsmateriaal op de juiste wijze.
- NB: Houd plastic zakken uit de buurt van kinderen en dieren om verstikkingsgevaar te vermijden.*

## BEWAAR DEZE INSTRUCTIES

### 1. Installatie van de batterij / correcte aansluiting van bak

- 1.1 Verwijder deksel van voerautomaat door op deksel te drukken en de clips met veer aan weerszijden in te drukken (afb. 3). Til de voerbak uit ondersteun van voerautomaat en verwijder batterijklepje door de bevestigingsclip los te maken (afb. 4).
- 1.2 Drie AA batterijen inzetten en letten op de richtingspijlen aan de binnenkant van het compartiment. Batterijklepje terugzetten.

Na kort zelftesten, geeft de klok (③, Fig. 2) 12:00 uur aan in een kader met twee voertijdindicatoren (⑤ en ⑥, afb. 2), die onderaan -- -- weergeven.

Zet de voerbak en deksel even terug. Als deksel en bak niet goed aansluiten, deksel verwijderen en de knoppen ADJ/SET en UP gelijktijdig max. 3 seconden indrukken totdat alles goed aansluit.

Alkaline batterijen van goede kwaliteit gaan meestal ongeveer 1 jaar mee (afhankelijk van het gebruik). Alle gangbare batterijen waaronder 1.5 lithium batterijen mogen gebruikt worden, maar het indicatielampje lage batterijspanning functioneert alleen bij standaard alkaline batterijen.

### 2. Instelling van de klok

*NB: Als u de weergave van de klok wilt wijzigen van 24 uren-naar 12 urennotatie (AM/PM) houdt u de ADJ/SET knop met de DOWN pijl gelijktijdig ingedrukt totdat de weergave gewijzigd is.*

*Als een knop tijdens de instelling niet binnen 30 seconden ingedrukt wordt, houdt het knipperen van alle cijfers op en worden de standaard- of voorgaande instellingen weer hersteld.*

- 2.1 Zo nodig kan het kader om de klok op de display met behulp van de UP of DOWN pijlknoppen verschoven worden. Druk op de ADJ/SET knop om de klok in te stellen en dan 5 seconden ingedrukt houden totdat het uurscijfer begint te knipperen. Druk op de UP of DOWN pijlknoppen om het uur op de klok in te stellen.
- 2.2 Druk op de ADJ/SET knop en het minutencijfer gaat knipperen. Instellen met UP of DOWN pijlknoppen. ADJ/SET indrukken om instelling op te slaan.

### 3. Instelling van maaltijden

Zodra u de gewenste maaltijden ingesteld hebt, serveert de C300 voerautomaat de maaltijden automatisch elke dag op dezelfde tijd(en). Als er bijvoorbeeld maar één maaltijd per dag nodig is, dan stelt men alleen de tijd in voor MEAL 1 (MAALTIJD 1) om max. 2 dagen te kunnen voeren. Als u 2 maaltijden per dag wilt geven, moet u de tijd voor MEAL 1 (MAALTIJD 1) en MEAL 2 (MAALTIJD 2) instellen.

De gewenste tijden voor de maaltijd van uw huisdieren stelt men als volgt in:

*NB: Maaltijden worden automatisch in chronologische volgorde geprogrammeerd. De eerstvolgende maaltijd wordt op de eerstvolgende ingestelde voertijd aangeboden. Als de huidige tijd 15:00 uur is (zie afb. 5) dan wordt de volgende maaltijd om 17:00 uur aangeboden.*

3.1 Druk op UP of DOWN pijlknoppen om het kader naar MEAL 1 te verschuiven. Houdt de ADJ/SET knop 3 seconden ingedrukt totdat de 'uren' bij MEAL 1 beginnen te knipperen. De uren voor MEAL 1 stelt men met behulp van de UP of DOWN pijlknoppen in. ADJ/SET indrukken om instelling op te slaan.

3.2 Het minutencijfer zal knipperen. Stel deze met UP of DOWN pijlknoppen in. Daarna ADJ/SET indrukken om instelling op te slaan.

*NB: Maaltijden kunnen slechts met intervallen van 10 minuten ingesteld worden.*

Herhaal 3.1 en 3.2 voor MEAL 2 indien nodig in te stellen.

3.3 De instelling van een maaltijd wordt m.b.v. de UP of DOWN pijlknoppen gewijzigd door het kader naar de geschikte tijd te verschuiven. Houdt de ADJ/SET knop ingedrukt totdat e maaltijd knippert. Daarna gelijktijdig op de UP en DOWN knoppen drukken totdat de instelling gewijzigd is.

### 4. Het testen van uw C300 voerautomaat

Uw C300 voerautomaat is gemaakt van hoogwaardig materiaal en is conform strenge kwaliteitsnormen in elkaar gezet. Men kan dus rekenen op veel goede gebruiksjaren. Wij raden u aan om de juiste werking met uw kat(ten) in uw bijzijn te testen en de instelling als volgt af te ronden:

4.1 Vul het gewenste aantal bakken en begin bij '1' (met de klokrichting mee) (alleen bak '0' vullen als de maaltijd direct nodig is). Pas op dat de voerbakken niet te vol zijn zodat de draaideksel niet vuil wordt.

4.2 Zet er bevoren ijszak in en zet voerbak weer terug waarbij '0' op voerbak (B1, afb. 1) en basisstation in één lijn moeten staan (D1, afb. 1). (Als '0' op de voerbak niet in één lijn staat met '0' op het basisstation, moeten ADJ/SET en pijlknop UP gelijktijdig 3 seconden ingedrukt worden om deze in één lijn te zetten.)

4.3 Zet ten slotte de deksel van de voerautomaat er weer op en zorg dat de veerklemmen aan weerszijden vastklikken en de automaat in de gewenste stand staat. De maaltijd in de voerbak met '1' wordt bij de eerstvolgende geprogrammeerde maaltijd aangeboden.

4.4 Zet voerautomaat altijd na gebruik uit (zie de volgende paragraaf 9).

### 5. Speciaal voor katten

Zorg dat uw kat zijn behoefte kan doen als u weggaat. Katten en vooral jonge katten mogen niet te lang alleen gelaten worden zonder iemand van tijd tot tijd te laten controleren of alles in orde is. Wij adviseren ook het gebruik van een CAT MATE fontein voor vers drinkwater.

### 6. Speciaal voor honden

De meeste kleine honden wennen snel aan een voerautomaat, maar het is raadzaam om de eerste paar keer bij de hond te blijven om te zorgen dat de hond de automaat niet eventueel beschadigt, wat met pups kan gebeuren.

Zorg dat uw hond zijn behoefte kan doen als u weggaat. Honden en vooral pups mogen niet te lang alleen gelaten worden zonder iemand van tijd tot tijd te laten controleren of alles in orde is. Wij adviseren ook het gebruik van een DOG MATE fontein voor vers drinkwater.

Voor extra stabiliteit kan de voerautomaat als volgt aan een houten ondersteun bevestigd worden:

6.1 Deksel van voerautomaat en voerbak verwijderen. Zet de voerautomaat in de gewenste stand op een houten plaat, zoek de twee ingegoten bevestigingsklemmen (F, afb. 1) en markeer een schroefgat met behulp van een geschikte schroef door het midden van elk gat (afb. 6).

6.2 Haal de ankerclips voorzichtig tevoorschijn door het verpakkingsmateriaal met een scherp mes weg te snijden (afb. 7).

6.3 Zet de clips met de platte kant naar boven weer in de gaten en zet met passende schroeven in de gemarkeerde schroefposities aan de plank vast (afb. 8).

6.4 Draai aan de clips om de voerautomaat op de houten plank vast te zetten/los te maken (afb. 9).

### 7. Tips voor het bewaren van voer

Uw C300 voerautomaat is voor elk type huisdierenvoer geschikt.

De C300 moet altijd met zijn ijszak worden gebruikt, tenzij de omgevingstemperatuur lager is dan 5°C. Leg de ijszak voor het gebruik minstens 6 uur in de vrieskist. Extra ijszakken zijn bij uw leverancier of rechtstreeks bij [www.pet-mate.com](http://www.pet-mate.com) verkrijgbaar.

Zorg bij het gebruik van uw C300 voerapparaat dat het voer uit een pas geopend blik/pak komt. Als het erg heet weer is, is het raadzaam om natvoer niet te lang te laten liggen en heeft droogvoer misschien de voorkeur omdat dat beter houdbaar is. Bij twijfel gelieve bij de fabrikant van het natvoer voor katten te informeren.

### 8. Plaatsing van voerautomaat

De C300 voerautomaat mag alleen binnen of in een garage of schuur worden gebruikt en moet in een koele hoek worden gezet, waar het tegen zonlicht en vocht beschermd moet zijn.

### 9. Het aan/uitzetten van de voerautomaat

Om de geprogrammeerde instellingen niet te verliezen moet men bij het uitzetten van de voerautomaat de UP en DOWN pijlknoppen tegelijk indrukken en ingedrukt houden totdat 'OFF' op de display verschijnt. Dit proces herhalen om de voerautomaat weer aan te zetten.

### 10. Batterijen verwisselen

Als indicatielampje lage batterijspanning (②, afb. 2.) op de LCD knippert, moeten de alkaline batterijen vervangen worden.

### BELANGRIJK:

- Om de instelling van de klok en alle maaltijden te behouden, moeten alle batterijen binnen 60 seconden verwijderd en vervangen worden!
- NIET op knoppen drukken tijdens de verwijdering of vervanging van de batterijen. In dat geval wordt het apparaat weer standaard ingesteld en moeten alle instellingen opnieuw geprogrammeerd worden.
- Het is aan te bevelen om de batterijen te verwijderen als de voerautomaat langere tijd niet gebruikt wordt.

### 11. Reiniging

De C300 voerautomaat is gemakkelijk schoon te maken. De deksel en bak in de vaatwasser kan worden gewassen. Het basisstation kan met een vochtige doek afgenomen worden. Het basisstation mag onder geen voorwaarde onder water gedompeld worden.