

FISH MATE®

2500 G-UV

IMPORTANT SAFETY INSTRUCTIONS

WARNING - To guard against injury or death, basic safety precautions should be observed, including the following.

READ AND FOLLOW ALL SAFETY INSTRUCTIONS

- Register your purchase on-line at www.pet-mate.com (see guarantee).
- Closely supervise children when near to pond or pond equipment.
- All electrical work must be carried out by a competent electrician.
- The filter MUST be wired into an R.C.D./G.F.I. circuit breaker (maximum 30mA). Ensure breaker is regularly tested in accordance with manufacturer's instructions.
- Ensure that the voltage on the rating label, conforms with your supply voltage.
- Switch off all appliances in the pond and isolate completely from supply before carrying out maintenance.
- Connection to the power supply should be made through a CE approved weatherproof outdoor socket or double pole switched enclosure with minimum 3mm (1/8") contact separation in all poles. If product is hard wired to electrical supply this must comply fully with the wiring regulations of the national and local electricity authority. The filter must be protected by a 3 AMP. (maximum) fuse.
- This appliance MUST be earthed. It is essential that all connections are securely made using the following code:

Brown - Live
Blue - Neutral
Green/Yellow - Earth

- Connect with 3 core cable (type H05RN-F) suitable for outdoor use, (Standard PVC is not suitable for outdoor use) with a minimum of 0.75mm² (0.001in²) cores. All connectors and plugs must be an approved watertight design. Protect cable from physical damage.
- UV lamps emit radiation that can be harmful to eyes and skin. When checking the UV lamp you should not look directly at the UV lamp.
- The filter is for outdoor ornamental pond use only. It must not be used for a swimming pool.
- Site filter well away from flammable items.
- Do not immerse filter. If the filter falls in the water DON'T reach for it. Unplug it immediately and return it to your dealer for service.
- Never run the filter without all components being fully assembled.
- Do not place objects directly on the filter.
- Never run the filter with damaged components or faulty electrical supply. Check plastic mouldings for damage and hairline cracks regularly.
- U.V. lamps are made from delicate glass and must always be handled with care.
- If the filter overflows, unplug it immediately and rectify fault.
- Maintain filter annually with the appropriate FISH MATE parts (not included).

SAVE THESE INSTRUCTIONS

IMPORTANT - READ BEFORE USE

1. SETTING UP THE FILTER

A. Choose a suitable site for your new filter where:

- Power supply can be safely run to the filter and be adequately protected against damage from garden equipment, children and animals.
- The filter can be firmly secured to the ground and cannot fall into the water.
- The area chosen is flat and level and well away from flammable items.
- The filter can be cleaned.
- Water supply hose can be run from your water pump.
- If the site is by the edge of the water, check that the outlets (A/B) are over the pond or start of the waterfall.
- If the site is away from the edge of the water, check that all sections of the outlet pipes will run down hill to the pond or start of water fall. (See Fig. 2).
- The filter outlets (A/B) are not feeding back close to the pump inlet.
- If the filter overflows or leaks, the water will not cause an electrical or other danger.

B. Plumb in to the filter:

- Choose a suitable size hose to run from your pump to the filter and fix with hose clips. The water inlet (F) will accept 25mm (1") or 19mm (3/4") hoses.
- If desired this filter may be run with an existing bio filter or another FISH MATE pond filter by connecting in parallel as in Fig. 4. Use a balancing valve (G) if necessary.
- If the filter is by the edge of the water: Place the outlets (A/B) over the edge of the pond.
 - If the filter is away from the edge of the water: Connect 32mm (1 1/4") bore flexible hose to the outlets (A/B) and secure with suitable hose clips.

Note: All parts of the outlet hoses must run down hill - if any section runs uphill the outlet will not work. (see Fig. 2). Fix the free ends of the hoses above or below the water level.

C. Check the water flow:

The flow through the filter should be approximately 50% of your pond volume every hour. e.g. For a 5000 litre (1000 gallon) pond, you will need a flow of around 2500 L/h (500 GPH). The flow gauge (Fig. 5) gives an approximate indication of flow. The maximum flow for this filter is **2500 L/h (500 GPH)**.

- Rinse the FISH MATE SUPRA+ filter medium (K) in a bucket of pond water before placing evenly into the bio chamber as shown in Fig. 6. Position the foam (L) on top of the SUPRA+ filter medium with the flat side facing down.
- Check the filter is level, turn the pump on and check water does not overflow.

2. OPERATION

The filter is now ready to run. The Filter should be run 24 hours a day through the year except when there is a risk of the water freezing.

The water should start to clear in 2 to 3 weeks, but full clarification may take 1 to 2 months. If the pond water is very green a water change should be made before starting the filter.

3. MAINTENANCE

A. Foam

When the foam (L) appears clogged, clean as follows:

- Turn off the power to pump and the filter.
- Lift the bio lid (E) and remove the foam (L).
- Clean by squeezing in a bucket of pond water. This will preserve beneficial bacteria.

- Replace the foam (L) with the flat side face down as shown in Fig. 1 and close the Bio lid (E).
- Turn on the power to the pump and filter.
- Check that the water is not overflowing from the filter.
- The performance of the foam will deteriorate over time and should be replaced annually. Replacement filter foam is supplied with the appropriate FISH MATE service kit.

B. Bio filter medium SUPRA+

The performance of the SUPRA+ will slowly deteriorate over time and we recommend 50% should be replaced with new FISH MATE SUPRA+ every year.

The bio filter medium should only be cleaned if heavily silted, as follows:

- Turn off the power to pump and the filter.
- Remove the foam (L) and SUPRA+ (K) and rinse in a bucket of pond water. Note: the SUPRA+ should never be cleaned in tap water as the beneficial bacteria will be killed.
- Replace the SUPRA+ in the bio chamber and put the foam (L) on top with the flat side face down as shown in Fig. 1.
- Turn on the power to the pump and filter.
- Check that the water is not overflowing from the filter.

C. UV Chamber, lamps and reflector

The UV chamber (I) should only need cleaning once per year. In some circumstances however, the chamber may need cleaning more often as follows:

- Turn off the power to pump and the filter.
- Unscrew the 4 screws on the UV lid (D) as shown in Fig. 3 and remove the lids (D) and (E).
- Clean out the UV chamber (I). Carefully clean the lamp and reflector using a mildly abrasive cleaner/polish.
- Replace the lids (D) and (E) using the 4 screws.
- Turn on the power to the pump and filter.
- Check that the water is not overflowing from the filter.

D. UV lamp replacement

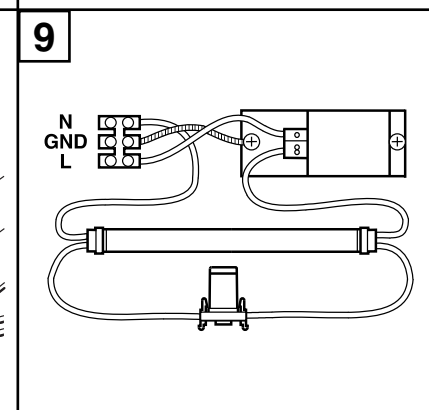
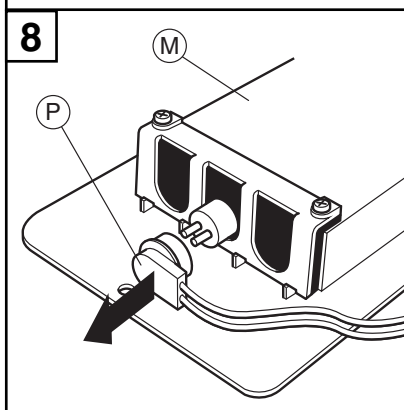
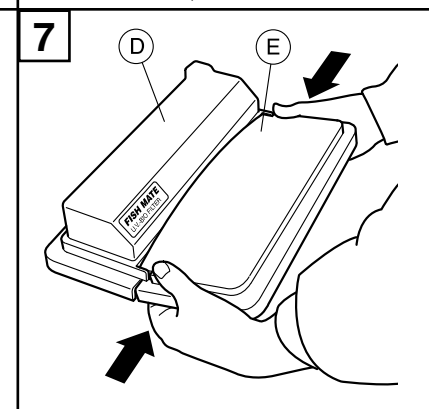
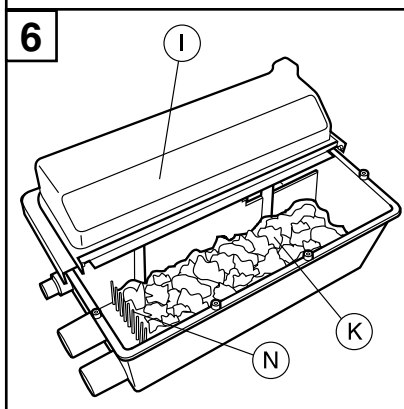
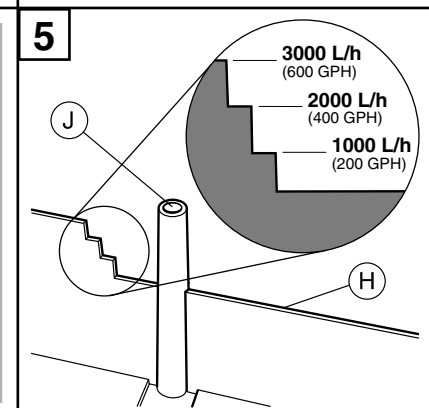
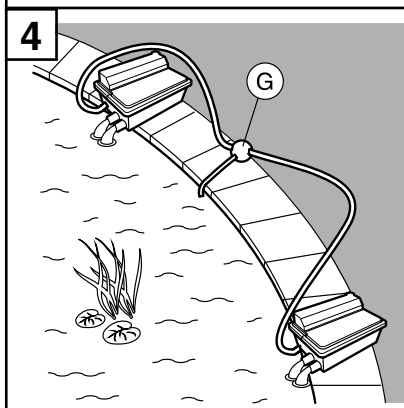
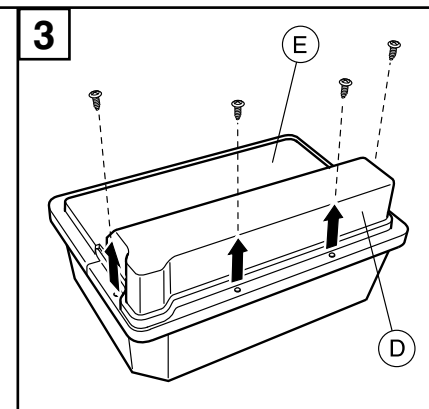
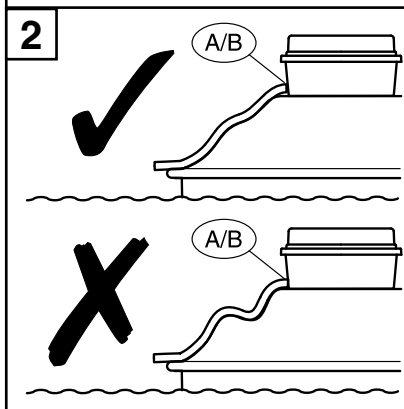
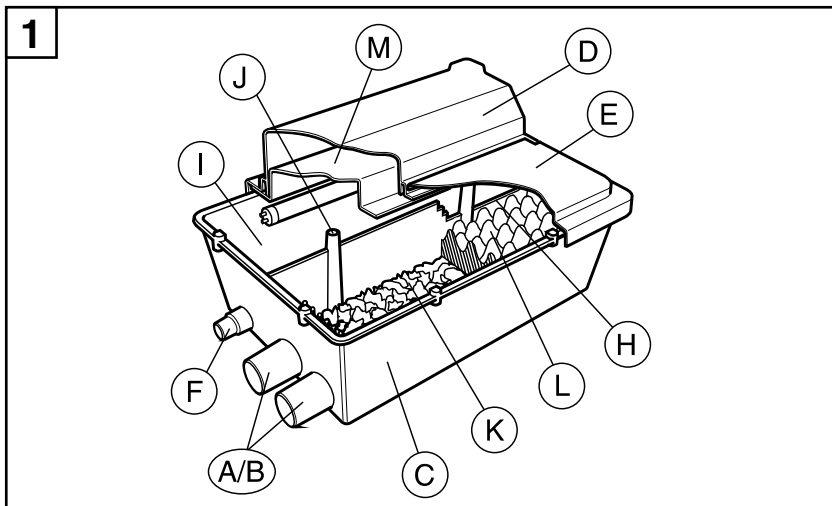
The lamp UV output reduces over time and after 12 months running should be replaced. Note that the UV lamp will carry on giving off violet light well after the UV light that kills the algae has stopped. We recommend that lamps are replaced at the start of the Summer so that they are at their most efficient when the need is greatest.

• Only use FISH MATE replacement lamps which have been developed for maximum UV-C output and long life.

• When replacing the lamp, new lamp gaskets must be used.

To replace the U.V. lamp proceed as follows:

- Turn off the power to pump and the filter.
- Remove the 4 screws around the UV lid (D) as shown in Fig. 3 and then carefully lift off the two lids (D) and (E).
- Separate the Bio lid (E) from the UV lid (D) by carefully popping out the pivot points as shown in Fig. 7 so that you have access to the two remaining screws.
- Remove the 2 screws to access the top of the lamp plate (M).
- Pull off the end caps (P) as shown in Fig. 8 and remove lamp.



4. TROUBLE SHOOTING

A. Water doesn't clear

- ▼ The water should start to clear in 2 to 3 weeks, but full clarification may take 1 to 2 months. If the pond water is very green a water change should be made before starting the filter. Thereafter the filter should keep the water clear.
- ▼ If the lamp is over 12 months old replace with new FISH MATE lamp and gaskets.
- ▼ Check UV lamp is working (section 4B).
- ▼ Check that you have selected the correct size filter for your pond (see carton).
- ▼ Check the flow rate through the filter is correct (see section 1.D.)
- ▼ Check that the filter outlets are not near the pump inlet.
- ▼ Check that the filter is being run 24 hours a day through the year except when there is a risk of the water freezing.
- ▼ Check UV lamp/reflector is not dirty. Clean carefully if necessary.
- ▼ Do not feed your fish more food than they can consume in 2-3 minutes. We recommend the use of our FISH MATE automatic fish feeders - specially designed for slow, safe feeding of fish.
- ▼ Do not use a lawn or pond plant fertiliser.

B. Testing the lamps

WARNING: UV lamps emit radiation that can be harmful to eyes and skin. When checking the UV lamp you should not look directly at the UV lamp.

- ▼ Test that the lamp is functioning by lifting the Bio lid (E) to see if there is any reflected light. Note that the lamp only gives off a small amount of visible violet light and this test is best done at dusk or at night.
- ▼ If lamp is not working:
 - Turn off power to pump and filter.
 - Ask a competent electrician to check lamp, starter, connections and power supply, etc. (See Fig. 9 circuit diagram).

C. Filter overflowing

- ▼ Check that the outlets are not blocked.
- ▼ Check that the foam has not ridden over the retainer pins (N) in Fig. 6.
- ▼ Check pump flow is correct (Section 1C).
- ▼ If you are using outlet pipes check that no section is uphill (See Fig. 2).

D. Foam (L) clogging too quickly

- ▼ If water is heavily polluted, carry out a water change.
- ▼ Do not feed your fish more food than they can consume in 2-3 minutes, as decomposing food poisons water very quickly. We recommend the use of our FISH MATE automatic fish feeders - specially designed for slow, safe feeding of fish.

E. Blanket weed

- ▼ This filter will not eliminate blanket weed.
- ▼ Increase use of plants in pond.
- ▼ Do not use lawn or pond plant fertiliser.

NOTE HERE DATE FOR NEXT ANNUAL SERVICE



Pet Mate Ltd. guarantees your product for a period of 3 years from the date of purchase, subject to the registration of your purchase details on our website www.pet-mate.com within 14 days of purchase. (If you do not have access to a computer, please send details of your purchase with copy of receipt along with your name and address.) In the event of a fault developing contact Pet Mate customer services for a returns authorisation number. The guarantee is limited to any defect arising due to faulty materials or manufacture. Any defective item will be repaired or replaced free of charge at the manufacturer's discretion, provided that the defect has not been caused by neglect, misuse or normal wear and tear. The guarantee excludes claims arising from frost, accidental damage or loss of fish. Your statutory rights are not affected.

IMPORTANT: Dispose of damaged/faulty/end-of-life products in accordance with locally applicable regulations for your country.
EU: Refer to Terms and Conditions section *EU Waste Electrical and Electronic Equipment (WEEE) Directive* on www.pet-mate.com for more information.

CE Hereby, Pet Mate Ltd., declares that this product is in compliance with the essential requirements and other relevant provisions of EU Directives. All Declarations of Conformity (DoC) may be viewed at www.pet-mate.com/eudoc.