



Pet Mate Ltd. guarantees your product for a period of 3 years from the date of purchase, subject to the registration of your purchase details on our website www.pet-mate.com within 14 days of purchase. (If you do not have access to a computer, please send details of your purchase with copy of receipt along with your name and address.) In the event of a fault developing contact Pet Mate customer services for a returns authorisation number. The guarantee is limited to any defect arising due to faulty materials or manufacture. Any defective item will be repaired or replaced free of charge at the manufacturer's discretion, provided that the defect has not been caused by neglect, misuse or normal wear and tear. Your statutory rights are not affected.

D GARANTIE

Pet Mate Ltd. gewährt auf Ihr Produkt eine Garantie von 3 Jahren ab dem Kaufdatum, unter der Voraussetzung, dass die Registrierung Ihres Produkts auf unserer Website www.pet-mate.com innerhalb von 14 Tagen des Kaufdatums erfolgt ist. (Wenn Sie keinen entsprechenden Computerzugang haben, senden Sie uns bitte Ihre Kaufangaben zusammen mit einer Kopie Ihres Einkaufsbelegs und Angabe Ihres Namens und Ihrer Adresse.) Sollte an Ihrem Produkt eine Störung auftreten, so kontaktieren Sie bitte den Kundendienst von Pet Mate, damit wir Ihnen eine Rücksendungs-Genehmigungsnummer übermitteln können. Die Garantie ist auf Mängel beschränkt, die auf fehlerhaftes Material oder Produktionsfehler zurückzuführen sind. Fehlerhafte Artikel werden nach Ermessen des Herstellers kostenlos repariert oder ersetzt, vorausgesetzt, dass der Defekt nicht durch ein Missgeschick, Vernachlässigung, falsche Bedienung oder normale Abnutzung verursacht wurde. Ihre gesetzlichen Rechte sind nicht betroffen.

F GARANTIE

Pet Mate Ltd. garantit votre produit pour une période de 3 ans à compter de la date d'achat, sous réserve d'enregistrement des détails de votre achat sur notre site www.pet-mate.com dans les 14 jours suivant l'achat. (Si vous n'avez pas accès à un ordinateur, veuillez envoyer les détails de votre achat avec une copie du reçu, accompagnée de votre nom et de votre adresse.) En cas de panne/mauvais fonctionnement, contactez Pet Mate pour obtenir un numéro d'autorisation de retour. Les articles défectueux seront remplacés ou réparés gratuitement à la discrétion du fabricant, sous réserve que le mauvais fonctionnement ne soit pas le résultat d'un usage inadapté ou abusif ou d'une usure normale. Ces conditions n'affectent pas vos droits statutaires.

E GARANTÍA

Pet Mate Ltd. garantiza su producto durante un período de 3 años a partir de la fecha de compra, siempre y cuando haya registrado los detalles de su compra en nuestro sitio web, www.pet-mate.com, durante los 14 días posteriores a la fecha de compra. (Si no tuviera acceso a un ordenador, por favor, envíe los detalles de su compra junto con una copia del recibo, su nombre y dirección.) En caso de producirse un fallo, póngase en contacto con Servicio al Cliente de Pet Mate para obtener un número de autorización de devolución. La garantía se limita a aquellos fallos que se produzcan como consecuencia de materiales o fabricación defectuosos. Todo artículo defectuoso se reparará o reemplazará a la discreción del fabricante, siempre y cuando el defecto no haya sido causado por negligencia, uso indebido o el uso y desgaste normales. Sus derechos estatutarios no resultarán afectados.

NL GARANTIE

Pet Mate Ltd. geeft drie jaar garantie op uw product, vanaf de koopdatum en afhankelijk van de registratie binnen 14 dagen na aankoop van uw koopgegevens op onze website www.pet-mate.com. (Als u geen toegang tot een computer hebt, wilt u dan de gegevens over uw aankoop samen met een kopie van uw koopbewijs inclusief uw naam en adres opsturen.) Mocht zich een defect voordoen, neemt u dan contact op met de klantendienst van Pet Mate en u ontvangt een autoriseringsnummer voor retour. Deze garantie betreft slechts defecten ten gevolge van materiaal- of fabrieksfout. Elk defect onderdeel wordt gratis gerepareerd of vervangen, dit ter beoordeling van de fabrikant, en op voorwaarde dat het defect niet ontstaat is door zorgvuldigheid, onjuist gebruik of door normale slijtage. Dit heeft geen effect op uw vastgelegde rechten.

CAT MATE® Elite

INSTRUCTIONS

Betriebsanleitung · Mode d'emploi · Instrucciones · Instructies

Ref. 305

I.D. DISC CAT FLAP WITH TIMER CONTROL


D I.D.-MARKE KATZENKLAPPE MIT ZEITSCHALTUHR-FUNKTION

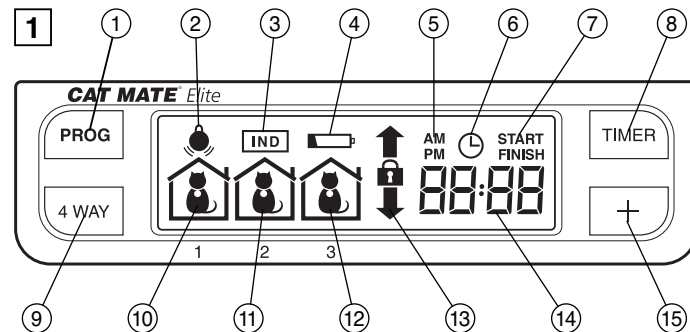
F CHÂTIÈRE DISQUE D'IDENTIFICATION AVEC FONCTION DE TEMPORISATION

E GATERA CON DISCO DE I.D. CON CONTROL DE TIEMPO

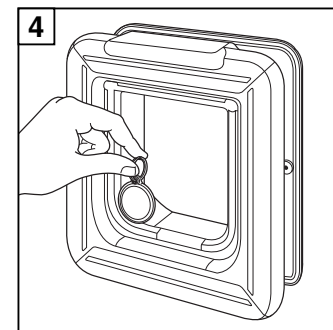
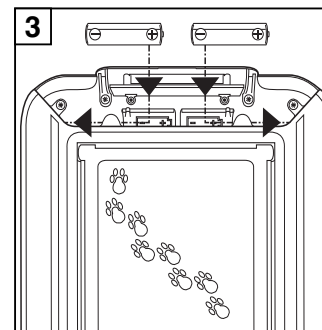
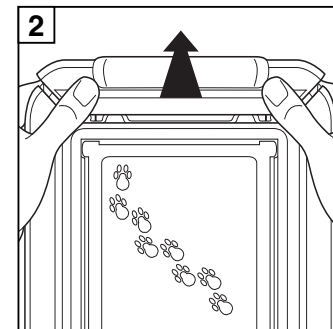
NL I.D. DISC KATTENDEUR MET TIJDKLOK FUNCTIONERING

 www.pet-mate.com

 +44 (0)1932 700 001
N America (936) 760 4333

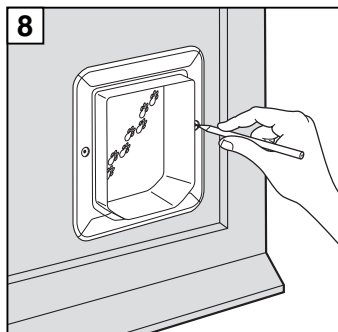
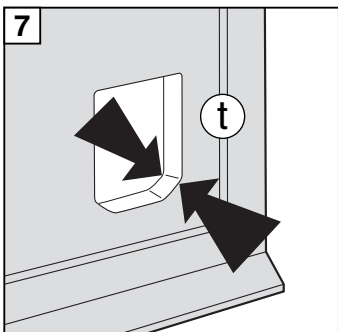
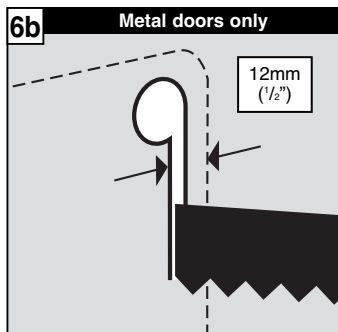
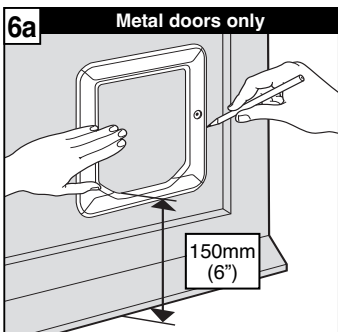
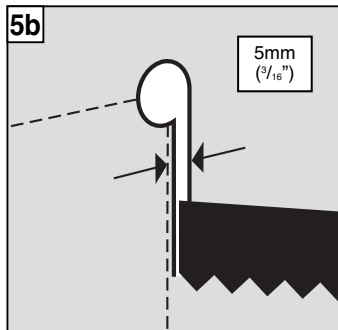
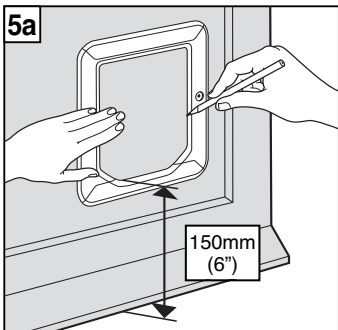



1. 'PROG' (PROGRAM) button
2. I.D. Disc search indicator
3. 'INDIVIDUAL' lock setting indicator
4. Low battery indicator
5. AM/PM indicators (12Hr clock mode)
6. 'TIMER' function indicator
7. 'TIMER' mode 'Start/Finish' indicators
8. 'TIMER' button
9. '4 WAY' button
- 10 - 12. CAT 1 - 3 location symbols
13. '4 WAY' lock indicators
14. Alphanumeric display (normally states time)
15. 'ADVANCE' button

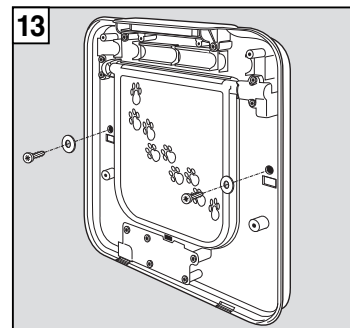
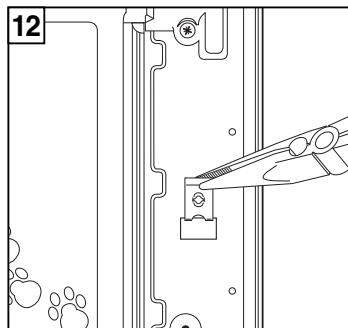
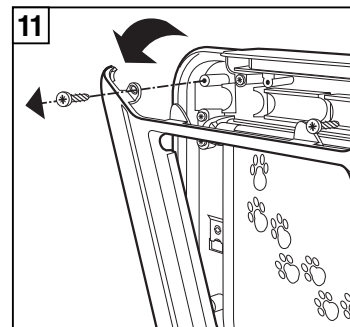
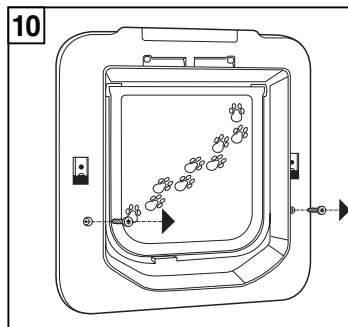


30503/0117

© **PET MATE Ltd** · Lyon Road · Hersham · Surrey · KT12 3PU · England
N.America only: Ani Mate · 104A Longview Drive · Conroe · Texas 77301



| | | | |
|---------------|------------------------|------------------------|--|
| 9 t | 0 - 12mm (0 - 1/2") | 25mm (1") |  |
| | 12 - 25mm (1/2 - 1") | 38mm (1 1/2") | |
| | 25 - 38mm (1 - 1 1/2") | 50mm (2") Not supplied | |
| | 38 - 50mm (1 1/2 - 2") | 65mm (2 1/2") | |



IMPORTANT - READ BEFORE USE

D WICHTIG - BITTE VOR VERWENDUNG

Seiten 12 - 19

- PROGRAMMIER-Taste
- I.D.-Marken- Suchanzeige
- Anzeige für INDIVIDUELLE Verriegelungseinstellung
- Batteriezustandsanzeige
- AM/PM-Anzeigen (12-Stunden-Uhrzeitmodus)
- TIMER-Funktionsanzeige
- TIMER-Modus für Start/Finish-Anzeigen
- TIMER-Taste
- 4-WEGE-Taste
- 10 - 12. KATZE 1 - 3 Aufenthaltssymbol
13. 4-WEGE-Verriegelungsanzeigen
14. Alphanumerisches Display (normalerweise Uhrzeitanzeige)
15. VORWÄRTS-Taste

F IMPORTANT - À LIRE AVANT USAGE

Pages 20 - 27

- Touche « PROGRAM »
- Témoin de recherche disque d'identification
- Témoin de réglage de verrouillage « INDIVIDUAL »
- Symbole de batterie faible
- Témoins AM/PM (mode horloge 12h)
- Témoin de fonction de temporisation (« TIMER »)
- Témoins de démarrage/arrêt du mode « TIMER »
- Touche « TIMER »
- Touche « 4 WAY »
- 10 - 12. Symbole de localisation du CHAT 1 - 3
13. Témoins de verrouillage à 4 positions (« 4 WAY »)
14. Affichage alphanumérique (affiche habituellement l'heure)
15. Touche d'avancement (« ADVANCE »)

E IMPORTANTE - LEA ANTES DE USAR

Páginas 28 - 35

- Botón 'PROGRAM'
- Indicador de búsqueda de disco de I.D.
- Indicador de ajuste de cerrojo 'INDIVIDUAL'
- Indicador de pila baja
- Indicadores AM/PM (mañana/ tarde) (modo reloj de 12 horas)
- Indicador de función 'TIMER'
- Indicadores de 'Start/Finish' en el modo 'TIMER'
- Botón 'TIMER'
- Botón '4 WAY'
- 10 - 12. Símbolo de ubicación del GATO 1 - 3
13. Indicadores de cerrojo '4 WAY'
14. Pantalla alfanumérica (normalmente indica la hora)
15. Botón 'ADVANCE'

NL BELANGRIJK! DIT EERST LEZEN VOOR GEBRUIK

Pagina's 36 - 43

- 'PROGRAMMA' knop
- Zoekindicator I.D.-disc
- 'INDIVIDUAL' vergrendeling(stand)indicator
- Lage batterijindicator
- AM/PM-indicator (12-uurs klok)
- 'TIMER' functie-indicator
- 'TIMER'-/Start/Finish'-indicator
- 'TIMER' knop
- '4 WAY' knop
- 10 - 12. KAT 1 - 2 locatiesymbool
- '4 WAY' vergrendelingindicator
- Alfanumeriek displayscherm (geeft gewoonlijk tijd aan)
- 'ADVANCE' knop

1. Introduction

Thank you for choosing the Cat Mate Elite I.D. Disc Cat Flap with Timer Control.

CAREFULLY READ THESE INSTRUCTIONS AND PROGRAM THE CAT FLAP BEFORE YOU INSTALL IT.

The Cat Mate Elite I.D. Disc Cat Flap with Timer Control allows you to control individual entry and exit of up to 9 cats. If required, an overriding timer function can control the 4 way lock for ALL cats. Furthermore, it will allow you to monitor the movement of up to 3 individual cats - showing when your cat last entered or left the house, and how many hours since your cat last used the flap.

To ensure that your chosen settings cannot easily be tampered with, we have made the control buttons so that they need to be pressed firmly to operate.

If you wish to stop any task (except programming) at any stage, the system will time out after 60 seconds.

Settings will not be saved unless you press the 'PROG' button.

2. Fitting the Batteries

2.1 Remove the battery cover by pushing the battery cover upwards (see Fig. 2). The cover will snap off.

2.2 Insert 4 x AA (R6) batteries as shown (Fig. 3), by sliding the 2 end batteries in first.

2.3 The cat flap will self-check for up to 60 seconds after which only the 'IN & OUT' arrows will be visible on the LCD display. The flap is ready to program.

You may use all popular batteries including rechargeable and lithium batteries but the 'BATTERY INDICATOR' will only work correctly with alkaline batteries. Good quality alkaline batteries should last approximately 12 months (depending on number of cats and usage).

3. Programming

The next step is to program I.D. Disc belonging to each cat.

NOTE: The programming sequence is time sensitive and the LCD will revert to the normal display if each step is not completed within approximately 15 minutes.

In order for the flap to recognise your cat(s) I.D. Disc you need to do the following:

3.1 Press and hold the 'PROG' button for 5 seconds (① , Fig. 1) until the search indicator (② , Fig. 1) appears.

3.2 'CAT 1' and the number '1' will flash - there will be lines moving around the first 'TWO ZEROS'.

3.3 Place the front of the I.D. Disc up against the flap (Fig. 4).

3.4 When programmed, the 'TWO ZEROS' will disappear and 'Pr1' will flash.

3.5 Press the 'PROG' button to save the setting.

For additional cats, up to a maximum of 9, repeat steps 3.1 to 3.5.

4. Fitting Instructions

IMPORTANT - DO NOT CUT TUNNEL OF CAT FLAP.

4.1. Wooden Doors 0-50mm (0-2") Thick

4.1.1 Place exterior frame in desired position on door. We recommend the bottom of the aperture is approximately 150mm (6") above ground level. (Fig. 5a). If you must fit higher consider providing a step to help your cat enter.

4.1.2 Draw around the aperture (Fig. 5a), then using an electric jigsaw cut 5mm ($\frac{3}{16}$ ") outside of the line. (Fig. 5b).

Be careful to cut hole square to the door, particularly with thicker doors. Ensure interior frame is free fitting in hole.

4.1.3 Determine thickness of door panel, (t). (Fig. 7).

4.1.4 Holding the interior frame and the exterior frame in position, mark the 2 screw holes. (Fig. 8).

4.1.5 Remove the frames and drill screw clearance holes in panel to 6mm ($\frac{1}{4}$ ") diameter.

4.1.6 Position interior frame on inside of door and screw exterior frame to it by using appropriate screws for panel thickness, (t), as shown in Fig. 9. If necessary, cut supplied screws to length. Finally fit two screw caps.

4.2 UPVC / Metal Doors 0-50mm (0-2") Thick

Doors constructed with metal panels may reduce the range of the microchip reader. You may test for metal panels by drilling a small trial hole in the middle of the intended cat flap location.

For UPVC / metal doors it is essential to cut a larger hole than for wooden doors and to retune the cat flap as below:

4.2.1 Place exterior frame in desired position on door. We recommend the bottom of the aperture is approximately 150mm (6") above ground level. (Fig. 6a). If you must fit higher consider providing a step to help your cat enter.

4.2.2 Draw around the OUTSIDE of the frame. (Fig. 6a). Using an electric jigsaw cut 12mm ($\frac{1}{2}$ ") INSIDE the line (Fig. 6b).

4.2.3 Determine thickness of door panel, (t). (Fig. 7).

4.2.4 Position interior frame on inside of door and screw exterior frame to it by using appropriate screws for panel thickness, (t), as shown in Fig. 9. If necessary, cut supplied screws to length. **DO NOT OVERTIGHTEN SCREWS** which may prevent the flap from closing properly - use a manual screwdriver. Finally fit two screw caps.

4.2.5 Remove batteries for a minimum of 2 minutes after installation. This will enable the cat flap to retune itself to its new location.

4.3 Glass Panels

4.3.1 We recommend that you ask a glazier to cut a hole of 232mm (9 $\frac{1}{8}$ ") diameter in the position required and then install the cat flap as detailed below. Alternatively, you may prefer to replace the glass panel with a clear plastic panel and install as instructions 4.1.1 to 4.1.6.

NOTE: It is not possible to cut a hole in double glazed or toughened glass. You will need a new glass panel with the hole already cut from your glazier.

- 4.3.2 Determine thickness of panel, (t). (Fig. 7).
- 4.3.3 The black foam seal is not suitable for fitting to glass and should be removed. If desired, the exterior frame may be sealed to the glass panel using silicone sealant.
- 4.3.4 Position interior frame on inside of panel, screw exterior frame to it by using appropriate screws for panel thickness, (t), as shown in Fig. 9. If necessary, cut supplied screws to length. DO NOT OVERTIGHTEN SCREWS which may prevent the flap from closing properly - use a manual screw driver. Finally fit two screw caps.

4.4 Wall Fitting

If you are installing your cat flap in a wall, you will need to purchase Cat Mate Elite Wall Liners. You will need 1 wall liner for every 50mm (2") of wall thickness over 50mm (4").

- 4.4.1 Create a rectangular hole in your wall 205mm (8") high by 180mm (7") wide.
- 4.4.2 Remove interior frame battery cover by pushing up as shown (Fig. 2).
- 4.4.3 Remove interior frame cover by unscrewing 2 screws in rear of interior frame (Fig. 10). (Note: these screws may be discarded as it will be impossible to refit them). Next remove the outermost 2 screws under the battery cover and remove the interior frame by pivoting down (Fig. 11).
- 4.4.4 Carefully remove 2 screw clips with pliers. (Fig. 12).
- 4.4.5 Fit interior frame assembled with requisite number of wall liners to interior wall securing in position with 2 suitable screws as shown in Fig. 13. (Note: you will need to fit a washer (not supplied) under the head of the screws). If required, the wall liners may be glued in place, although a firm push fit will usually suffice.
- 4.4.6 Refit interior frame cover with 2 screws under battery cover, taking great care not to trap electrical wires. Replace the battery cover.
- 4.4.7 Fit exterior frame using 2 off 25mm (1") screws supplied and finally, fit 2 screw caps.

5. Fitting I.D. Disc(s) to your Cat(s)

- 5.1 If desired, record your cat's details on the I.D. label by writing on the label in pen and sticking the clear waterproof cover over the writing.
- 5.2 IMPORTANT: Attach the I.D. Disc directly to the collar, NOT from a ring attached to the collar) so that it is as high as possible and parallel to flap (as shown in Fig. 14).

We recommend the use of a fabric collar without large metal attachments (other name discs etc.).

6. Training Your Cat to Use the Cat Flap (or if Your Cat Has Lost its I.D. Disc)

It may take a little time for your cat to get used to its new cat flap. To help your cat get used to entering and exiting the flap, the flap can be set to 'TRAINING MODE' by pressing and holding the 'PROG' button and within 3 seconds briefly pressing the '4 WAY' button.

After 5 seconds the lock will unlock and the 'PROG' button should then be released. The 'IN & OUT' symbol will remain flashing.

Please be aware that in 'TRAINING MODE' your cat flap will allow access for other animals.

To exit the 'TRAINING MODE', press and hold the 'PROG' button and within 3 seconds briefly press the '4 WAY' button. After 5 seconds the flap will re-lock and the 'PROG' button should then be released.

For very hesitant cats, whilst in the 'TRAINING MODE', use food to encourage the cat to enter and exit the flap.

NOTE: We do NOT recommend that cats, particularly kittens, are left alone to use their cat flap until you are satisfied that they are completely familiar with its operation.

If your cat still has difficulty using the cat flap after successfully using training mode, you may wish to disable high security mode temporarily or permanently to enable easier entry/exit by your cat (See Section 13).

7. Viewing Your Cat's Location

The LCD shows at a glance, the location of up to three cats (1-3).



The cat last went through the flap, coming into the house.



The cat last went through the flap, going out of the house.

Please note this display is only a guide to your cats' location. The cat flap determines the location of your cat by recording its last movement through the cat flap. The results may be misleading if the cat has an alternative entrance/exit to the house or if the cat has followed another cat through the cat flap; if it only puts its nose out of the cat flap etc.

8. To View How Long Since the Cat(s) Last Used the Cat Flap

- 8.1 To view how many hours and minutes since cats 1, 2 or 3 last used the cat flap, press the '+' button.
- 8.2 The display will show the symbol for 'CAT 1' and how many hours and minutes ago 'CAT 1' used the flap up to a maximum of 99 hours.
- 8.3 Press '+' again for similar information on Cats 2 and 3.
- 8.4 Press '+' a fourth time (or leave for 20 seconds) and the normal display will be resumed.

9. Access Options

The access options available are shown below.



'In & Out' Your cat(s) can come in and out of the flap



'In Only' Your cat(s) can come in through the flap but cannot leave through the flap



'Out Only' Cat(s) can go out through the flap but cannot enter through the flap



'Locked' Cat(s) cannot use the flap

Select an access option as follows:

- 9.1 Press and hold the '4 WAY' button for 5 seconds until the display flashes.
- 9.2 Repeatedly press the '4 WAY' button to scroll through the available access options, until you come to the one you want.
- 9.3 Press the 'PROG' button to save the setting.

9.4 Setting INDIVIDUAL Access Options (2-9 Cats)

If you wish to assign an individual access option to each of your cats, e.g. to keep Cat 1 'LOCKED' in but allow Cat 2 'OUT ONLY', proceed as follows:

NOTE: This setting will not prevent a cat that is not allowed out following 'head to tail' another cat that is allowed out.

9.4.1 Press and hold the '4 WAY' button for 5 seconds until the display flashes.

9.4.2 Repeatedly press the '4 WAY' button until 'IND' appears on the LCD display (③, Fig. 1).

9.4.3 Press the 'PROG' button to save the setting.

9.4.4 Repeatedly press the '4 WAY' button until the required access option for Cat 1 is obtained.

9.4.5 Press the 'PROG' button to save the setting.

9.4.6 Repeat 9.4.4 and 9.4.5 above for all of your cats with a programmed I.D. Disc.

NOTE: To see the individual settings you have made for your cat(s) at any time, press the '4 WAY' button for 1 second and release repeatedly.

9.5 Setting Timer Control/Clock for ALL Cats

If you wish to set your cat flap to ensure that ALL cats have a particular access option, over a selected timed period, e.g. to keep your cat(s) in at night between 19:00 and 06:00, you will first need to decide:

a) Which lock setting should apply DURING the timed period, (in the above example 'IN ONLY' will apply). Outside the timed period, the lock setting made in 9.1 to 9.3 will apply.

b) When the timed period should 'START' (In the above example 19:00hrs).

c) When the timed period should 'FINISH' (in the above example 06:00hrs).

d) You will also need to know the current time.

Proceed as follows:

NOTE: if you do not press a button for more than 60 seconds the display will revert to normal and you will need to start again.

9.5.1 Press the 'TIMER' button for 5 seconds until the Timer function indicator flashes.

9.5.2 Repeatedly press the '4 WAY' button to select the required access options from: 'IN & OUT', 'IN ONLY', 'OUT ONLY', 'LOCKED' or 'OFF'.

9.5.3 Press the 'PROG' button to save the setting.

9.5.4 The display will show time with the Minute symbol flashing. Repeatedly press the '+' button until the current Minutes setting is shown (i.e. 10 if the current time is 12:10).

9.5.5 Press the 'PROG' button to save the setting.

9.5.6 The display will now show the time with the Hour symbol flashing.

If you wish to change between a 24 hour clock and AM/PM setting, press the 'TIMER' button.

9.5.7. Repeatedly press the '+' until the correct Hour setting is shown (e.g. 12 if the current time is 12:10).

9.5.8. Press the 'PROG' button to save the setting.

9.5.9. The display will show the word 'START' and the minutes will flash. Press the '+' button until the desired minutes setting is shown, (in the above example '00'). Press the 'PROG' button to save the setting.

9.5.10 Then set the hours in the same way (in the above example 19:00).

9.5.11 The display will show the 'FINISH' time. Set in the same way as the 'START' time. Remember to press 'PROG' to save the setting.

When the Timer is set, the Timer function indicator (⑥, Fig. 1) will be shown on the display.

When the timed lock is active, the access option symbol chosen at 9.2 will flash slowly.

To check the time settings, briefly press the 'TIMER' button and release. The display will show the timed access option selected and the 'START' time. Press the 'TIMER' button again to show 'FINISH' time. The display will revert to current time after 5 seconds.

To cancel timer control and revert back to the normal access option:

9.5.12 Press the 'TIMER' button for 5 seconds.

9.5.13 Press the '4 WAY' button and go back through the options until you come to 'OFF'.

9.5.14 Press the 'PROG' button 3 times to keep the current clock time and return to the normal display.

10. Battery Replacement

When the 'BATTERY INDICATOR' comes on (④, Fig. 1), alkaline batteries should be replaced. (See Section 2).

Please note, after fitting new batteries:

- 'BATTERY INDICATOR' may remain on for up to 15 minutes.

- Flap will remember all microchip(s) and I.D. Disc(s), Lock Settings and Lock Times but CURRENT TIME WILL NEED RESETING. (See section 9.5).

11. Reprogramming an I.D Disc

11.1 Press the 'PROG' button for 5 seconds, the next unused Cat number will flash and there will be lines moving around the first 'TWO ZEROS'.

11.2 Press the '+' button to select the appropriate Cat number you wish to reprogram or select the next available Cat number. (A 'P' next to the Cat number indicates that it has already been programmed, although you may reprogram as follows).

11.3 Place the front of the I.D. Disc up against the flap (Fig. 4).

11.4 When programmed, the 'TWO ZEROS' will disappear and 'Pr' will flash.

11.5 Press the 'PROG' button to save the setting.

For additional cats, up to a maximum of 9, repeat steps 11.1 to 11.5.

12. Factory Reset

To reset the cat flap back to the setting when you first bought it, press and hold the '+' button for about 30 seconds until all symbols show on LCD. After a period of self checking, the 'IN & OUT' symbol will be all that is visible on the LCD display. This procedure will erase all I.D. Disc(s) and all other settings. You will then need to reprogram the I.D. Disc(s) (See Section 3).

13. High Security Mode

This cat flap is supplied with high security mode enabled ('Eon') to ensure no unwanted entry by other cats or raccoons.

If your cat still has difficulty using the cat flap after successfully using training mode, you may wish to disable high security mode ('EOFF') temporarily or permanently to enable easier entry/exit by your cat.

You can disable high security mode as follows:

- 13.1 Press and hold 'PROG' button and within 3 seconds briefly press the '+' button. When the display shows 'Eon' (high security mode enabled) release the 'PROG' button.
- 13.2 You may toggle between 'Eon' and 'EOFF' by pressing the '4 WAY' button. Press 'PROG' to save the desired setting.

14. Troubleshooting

14.1 Cat will not use the flap

It may take time for timid cats to learn how to use the cat flap - even if they have used another cat flap before.

- First try using 'TRAINING MODE' (See Section 6).
- Disable high security mode so your cat will find it easier to use the flap (See Section 13).

14.2 Flap does not open in response to programmed I.D. Disc

- If fitted in UPVC / metal door, ensure correct cut out size has been made (See Section 4.2).
- When fitted to UPVC / metal door check the unit has been retuned by removing batteries for a minimum of 2 minutes.
- Check '4 WAY' lock is programmed to permit access in the chosen direction (See Section 9).
- Ensure a timed lock is not activated, (evident by flashing '4 WAY' lock setting). If required, cancel the timed lock (See Sections 9.5.12 to 9.5.14).
- If display shows 'IND' check that the cat seeking access is allowed access in the direction being sought by pressing the '4 WAY' button for 1 second and release repeatedly. If necessary, reprogram the cats individual access option. (See Section 9.4).
- The high security mode may have been activated (denoted by 'Eon' on the display). Do not move the flap until 'Eon' disappears.
- Check batteries are correctly orientated (Fig. 3) and the low battery symbol (④, Fig.1) does not show.
- Check the I.D. Disc is correctly fitted to cat's collar (See Section 5.2).
- If possible, try operation with another programmed I.D. Disc to ascertain if there is a fault with a particular I.D. Disc.
- Check that the cat flap is mounted at correct height (See Section 4).
- If all else fails, remove batteries and wait a minimum of 5 minutes. Refit batteries and then perform a 'FACTORY RESET' (See Section 12).

14.3 Flap has not fully closed

- Check that the cat flap frame is not overtightened with the 2 fixing screws. Try loosening screws slightly.
- Very occasionally this will be due to an unusual event in which the electronics will normally self correct within 30 minutes. If problem persists remove batteries for 5 minutes before replacing when correct lock action should be resumed.

14.4 Difficulty in setting required functions/times

- Buttons need to be pressed firmly.
- Remember to press the 'PROG' button after making any change to save the setting.

14.5 Display locks up

- Remove batteries for 5 minutes, then replace.
- If the display is still locked perform a 'FACTORY RESET' (See Section 12).

14.6 Flap does not lock

- Check flap not in 'TRAINING MODE' (slowly flashing arrows).
- Wait 30 minutes for self correction.

FCC STATEMENT

1. This device complies with Part 15 of the FCC Rules. Operation is subject to the following two conditions:
 - (1) This device may not cause harmful interference.
 - (2) This device must accept any interference received, including interference that may cause undesired operation.

2. Changes or modifications not expressly approved by the party responsible for compliance could void the user's authority to operate the equipment.

NOTE: This equipment has been tested and found to comply with the limits for a Class B digital device, pursuant to Part 15 of the FCC Rules.

These limits are designed to provide reasonable protection against harmful interference in a residential installation.

This equipment generates uses and can radiate radio frequency energy and, if not installed and used in accordance with the instructions, may cause harmful interference to radio communications.

However, there is no guarantee that interference will not occur in a particular installation. If this equipment does cause harmful interference to radio or television reception, which can be determined by turning the equipment off and on, the user is encouraged to try to correct the interference by one or more of the following measures:

- Reorient or relocate the receiving antenna.
- Increase the separation between the equipment and receiver.
- Connect the equipment into an outlet on a circuit different from that to which the receiver is connected.
- Consult the dealer or an experienced radio/TV technician for help.

FCC Radiation Exposure Statement

This equipment complies with FCC radiation exposure limits set forth for an uncontrolled environment. This equipment should be installed and operated with minimum distance 20cm between the radiator and your body.

1. Einführung

Vielen Dank dafür, dass Sie sich für den Kauf die Cat Mate Elite I.D.-Marke Katzenklappe mit Zeitschaltuhr Funktion entschieden haben.

DIESE ANWEISUNGEN SORGFÄLTIG LESEN UND DIE KATZENKLAPPE VOR DEM EINBAUEN PROGRAMMIEREN.

Die Cat Mate Elite I.D. Disc Katzenklappe mit Zeitschaltuhr Funktion gestattet Ihnen den Ein- und Austritt von bis zu 9 Katzen zu kontrollieren. Wenn erforderlich, ermöglicht Eine übergeordnete Zeitfunktion die Austrittskontrolle ALLE Ihrer Katzen mit der 4-Wege-Verriegelung. Außerdem haben Sie die Möglichkeit, das Ausgangsverhalten von bis zu 3 einzelnen Katzen zu überwachen. Sie können dann sehen, wann Ihre Katze zuletzt durch die Klappe ein- oder austrat, und vor wie vielen Stunden Ihre Katze zuletzt die Klappe betätigte.

Damit die von Ihnen gewählten Einstellungen nicht von Unbefugten leicht verstellt werden können, sind die Einstell Tasten so konstruiert, dass sie fest gedrückt werden müssen.

Wenn Sie einen Vorgang (ausgenommen Programmierung) an irgendeiner Stelle stoppen möchten, unterbricht das System nach 60 Sekunden.

Ihre Einstellungen werden nur dann gespeichert, wenn Sie auf die Taste 'PROG' drücken.

2. Einlegen der Batterien

2.1 Batteriedeckel abnehmen, indem dieser nach oben geschoben wird (siehe Abb. 2). Der Deckel schnappt damit aus seiner Halterung.

2.2 Wie in Abb. 3 gezeigt, 4 x AA (R6) Alkaline-Batterien einlegen, wobei zuerst die beiden am linken und rechten Ende gelegenen Zellen eingeschoben werden.

2.3 Die Katzenklappe prüft bis zu 60 Sekunden lang eigentätig ihre Funktion; danach sind dann nur mehr die Ein- und Austrittsfeile 'IN & OUT' im LCD-Display sichtbar. Die Klappe ist zum Programmieren bereit.

Sie können alle handelsüblichen Batterien einschließlich von wiederaufladbaren Batterien und Lithiumbatterien verwenden. Die BATTERIEZUSTANDSANZEIGE funktioniert jedoch nur mit Alkali-Mangan-Batterien richtig. Alkali-Mangan-Batterien von guter Qualität halten im Normalbetrieb ungefähr 12 Monate (wobei ihre tatsächliche Betriebsdauer nach der Zahl von Katzen und Klappenbetätigungen schwankt).

3. Programmierung

Nun wird die I.D.-Marke für jede Katze programmiert.

HINWEIS: Die Programmierungszeit ist begrenzt, und wenn jeder Schritt nicht innerhalb von ca. 15 Minuten abgeschlossen wird, kehrt das LCD in den normalen Anzeigemodus zurück.

Damit die jeweilige I.D.-Marke Ihrer Katze(n) durch die Klappe erkannt werden kann, müssen Sie wie folgt vorgehen:

3.1 5 Sekunden lang auf die Taste 'PROG' (①, Abb. 1) drücken und gedrückt halten, bis die Suchanzeige (②, Abb. 1) erscheint.

3.2 Nun werden KATZE 1 und die nummer 1 blinken, und kurze Linien laufen um die ersten ZWEI NULLSTELLEN.

3.3 Vorderseite der I.D.-Marke an die Klappe halten (Abb. 4).

3.4 Sobald die Programmierung wirksam wird, verschwinden die ZWEI NULLSTELLEN, und 'Pr1' beginnt zu blinken.

3.5 Auf die Taste 'PROG' drücken, womit Ihre Einstellung gespeichert wird.

Für weitere (bis zu maximal 9) Katzen die Schritte 3.1 bis 3.5 wiederholen.

4. Einbauanleitung

WICHTIG - DIE AUSKLEIDUNG DER KATZENKLAPPE NICHT BESCHNEIDEN.

4.1 Holztüren mit Dicke 0 - 50mm

4.1.1 Außenrahmen in gewünschter Position auf die Tür platzieren. Es empfiehlt sich, dass der untere Öffnungsrand sich ungefähr 150mm über dem Bodenniveau befindet (Abb. 5a). Bei höherem Einbau muss eventuell eine Stufe bereitgestellt werden, um der Katze den Eintritt zu erleichtern.

4.1.2 An der Außenlinie entlang zeichnen (Abb. 5a), dann mit einer elektrischen Stichsäge 5mm außerhalb der Linie schneiden (Abb. 5b).

Dabei auf senkrechten Schnittverlauf achten, ganz besonders bei dickeren Türen. Sicherstellen, dass der Innenrahmen ohne Widerstand in den Ausschnitt passt.

4.1.3 Dicke (t) der Türfüllung bestimmen (Abb. 7).

4.1.4 Innenrahmen in seiner Position halten und die 2 dafür bestimmten Schraublöcher markieren (Abb. 8).

4.1.5 Rahmen entfernen und in die Füllung Durchgangslöcher mit 6mm Durchmesser bohren

4.1.6 Innenrahmen auf die Innenseite der Tür positionieren und Außenrahmen auf diesen schrauben, wobei die Schrauben für die Füllungsstärke (t) geeignet sein müssen, wie in Abb. 9 gezeigt. Falls erforderlich, die mitgelieferten Schrauben auf eine entsprechende Länge zurechtschneiden. Dann zwei Schraubenköpfe montieren.

4.2 UPVC/Metall-Türen mit Dicke 0 - 50mm

Türen, in denen Metallplatten eingebaut sind, können die Reichweite des Mikrochip-Lesegeräts reduzieren. Ob Metall vorhanden ist, können Sie prüfen, indem Sie ein kleines Loch in die Mitte der Stelle bohren, an der die Katzenklappe eingebaut werden soll.

Bei UPVC/Metall-Türen muss ein größerer Ausschnitt als bei Holztüren angefertigt werden, wobei dann die Katzenklappe wie folgt neu abgeglichen werden muss:

4.2.1 Außenrahmen in gewünschter Position auf die Tür platzieren. Es empfiehlt sich, dass der untere Öffnungsrand sich ungefähr 150mm über dem Bodenniveau befindet (Abb. 6a). Bei höherem Einbau muss eventuell eine Stufe bereitgestellt werden, um der Katze den Eintritt zu erleichtern.

4.2.2 An der AUSSERHALB des Rahmens entlang zeichnen (Abb. 6a). Mit einer elektrischen Stichsäge 12mm INNERHALB der Linie (Abb. 6b) schneiden.

4.2.3 Dicke (t) der Türfüllung bestimmen (Abb. 7).

4.2.4 Innenrahmen auf die Innenseite der Tür positionieren und Außenrahmen auf diesen schrauben, wobei die Schrauben für die Füllungsstärke (t) geeignet sein müssen, wie in Abb. 9 gezeigt. Falls erforderlich, die mitgelieferten Schrauben auf eine entsprechende Länge zurechtschneiden. SCHRAUBEN NICHT ZU STARK FESTZIEHEN, da das ein ordnungsgemäßes Schließen der Klappe verhindern kann - dazu stets einen Handschraubendreher verwenden. Dann zwei Schraubenköpfe montieren.

4.2.5 Die Batterien nach dem Einbau mindestens 2 Minuten lang entfernen. Damit wird nämlich die Katzenklappe für den Betrieb am neuen Verwendungsort automatisch abgeglichen.

4.3 Glasscheiben

4.3.1 Es wird empfohlen, von einem Glaser in der gewünschten Position einen Ausschnitt mit einem Durchmesser von 232mm vornehmen zu lassen und dann die Katzenklappe wie unten angegeben einzubauen. Manche Benutzer ziehen es vor, die Glasscheibe durch eine durchsichtige Kunststoffscheibe zu ersetzen und den Einbau wie in 4.1.1 bis 4.1.6 vorzunehmen.

HINWEIS: In doppelt verglasten Scheiben oder Sicherheitsglas können keine Ausschnitte ausgeführt werden. In solchen Fällen muss eine neue Scheibe verwendet werden, wobei der Ausschnitt bereits vom Glaser vorgenommen wurde.

4.3.2 Dicke (t) der Türfüllung bestimmen (Abb. 7).

4.3.3 Die schwarze Schaumstoffdichtung ist nicht zur Verwendung mit Glas geeignet und muss entfernt werden. Falls gewünscht, kann der Außenrahmen mittels Silikon-Dichtmasse an der Glasfüllung abgedichtet werden.

4.3.4 Innenrahmen auf die Innenseite der Tür positionieren und Außenrahmen darauf schrauben, wobei die Schrauben für die Füllungsdicke (t) geeignet sein müssen, wie in Abb. 9 gezeigt. Falls erforderlich, die mitgelieferten Schrauben auf eine entsprechende Länge zurechtschneiden. **SCHRAUBEN NICHT ZU STARK FESTZIEHEN**, da das ein ordnungsgemäßes Schließen der Klappe verhindern kann - dazu stets einen Handanschraubendreher verwenden. Dann die 2 Schraubenkappen montieren.

4.4 Wandeinbau

Wenn Ihre Katzenklappe in eine Wand eingebaut werden soll, muss zusätzlich eine entsprechende Cat Mate Elite Wandauskleidung besorgt werden. Wenn die Wand über 50mm dick ist, muss dazu für jede um 50mm darübergende Dicke jeweils eine weitere Wandauskleidung verwendet werden.

4.4.1 Eine rechteckige Wandöffnung mit einer Höhe von 205mm und einer Breite von 180mm anfertigen.

4.4.2 Batteriedeckel wie in Abb. 2 gezeigt durch Hinaufdrücken entfernen.

4.4.3 Innenrahmenabdeckung durch Heraus-schrauben der 2 hinten am Innenrahmen befindlichen Schrauben entfernen (Abb. 10). *(Hinweis: Diese beiden Schrauben werden dann nicht mehr benötigt, da sie nicht mehr neuerlich eingeschraubt werden können.)* Dann die 2 unter dem Batteriedeckel angeordneten äußeren Schrauben entfernen und den Innenrahmen durch Herunterschwenken abnehmen (Abb. 11).

4.4.4 Die 2 Schraubenklipps mittels Zange vorsichtig entfernen (Abb. 12).

4.4.5 Innenrahmen zusammen mit der erforderlichen Anzahl von Wandauskleidungen an Innenwand einsetzen und mit 2 passenden Schrauben wie in Abb. 13 gezeigt in der vorgesehenen Position befestigen. *(Hinweis: Unter den Schraubenköpfen muss eine Unterlegscheibe (nicht mitgeliefert) angebracht werden.)* Falls gewünscht, können die Wandauskleidungen auch festgeklebt werden, doch reicht es normalerweise aus, wenn sie fest aufgeschoben werden.

4.4.6 Innenrahmenabdeckung mit 2 Schrauben wieder unter dem Batteriedeckel montieren, wobei sorgfältig darauf geachtet werden soll, dass die Stromdrähte nicht eingeklemmt werden. Den Batteriedeckel wieder aufsetzen.

4.4.7 Außenrahmen mit den 2 mitgelieferten 25mm Schrauben befestigen und dann die 2 Schraubenkappen montieren.

5. Anbringen der I.D.-Marke(n) an Katze(n)

5.1 Falls gewünscht, können Angaben über Ihre Katze auf der Etikette der I.D.-Marke eingetragen werden. Zu diesem Zweck das Etikett beschriften und mit der durchsichtigen, wasserdichten Selbstklebefolie schützen.

5.2 **WICHTIG:** Die I.D.-Marke muss am Halsband Ihrer Katze (und NICHT an einem am Halsband angebrachten Ring) befestigt werden, damit sie sich möglichst weit oben und parallel zur Katzenklappe befindet (siehe Abb. 4).

Wir empfehlen die Verwendung eines aus Gewebe bestehenden Halsbands ohne größere Metallanhänger (wie z. B. andere Namensmarken usw.).

6. Gewöhnung Ihrer Katze an die Verwendung der Katzenklappe (oder wenn sie ihre I.D.-Marke verloren hat)

Ihre Katze braucht eventuell etwas Zeit, um sich an ihre neue Katzenklappe zu gewöhnen. Zur Gewöhnung Ihrer Katze an das Ein- und Austreten durch die Katzenklappe kann diese auf den GEWÖHNUNGS-MODUS eingestellt werden. Zu diesem Zweck müssen die Taste 'PROG' gedrückt und niedergehalten und die Taste '4 WAY' innerhalb von 3 Sekunden kurz gedrückt werden.

Nach 5 Sekunden wird die Verriegelung entsperrt, und die Taste 'PROG' muss dann freigegeben werden. Die Anzeige 'EIN & AUS' blinkt.

Bitte beachten Sie, dass im GEWÖHNUNGS-MODUS die Klappe auch für andere Tiere offen ist.

Zum Verlassen des GEWÖHNUNGS-MODUS die Taste 'PROG' drücken und niederhalten und innerhalb von 3 Sekunden kurz die Taste '4 WAY' drücken. Nach 5 Sekunden wird die Klappe neuerlich verriegelt, und die Taste 'PROG' muss dann freigegeben werden.

Im Fall von sehr scheuen Katzen kann im GEWÖHNUNGS-MODUS Futter zum Anlocken angeboten werden, um die Katze zum Ein- und Austreten durch die Klappe zu ermuntern.

HINWEIS: Bei allen Katzen - insbesondere bei jungen Tieren - wird AUSDRÜCKLICH empfohlen, erst sicherzustellen, dass sie mit der Betätigung der Katzenklappe vertraut sind, bevor sie damit allein gelassen werden.

Wenn Ihre Katze nach dem erfolgreichen GEWÖHNUNGS-MODUS immer noch Schwierigkeiten hat, die Katzenklappen zu benutzen, können Sie den Hochsicherheitsmodus vorübergehend oder dauerhaft deaktivieren, um leichteren Ein- und Austritt für Ihre Katze zu ermöglichen (siehe Abschnitt 13).

7. Betrachten des aktuellen Aufenthalts Ihrer Katze

Im LCD-Display kann auf einen Blick eingesehen werden, wo sich bis zu drei Katzen (1-3) gerade aufhalten.



Die Katze passierte die Klappe zuletzt, und zwar auf dem Weg ins dem Haus.



Die Katze passierte die Klappe zuletzt, und zwar auf dem Weg aus dem Haus.

Bitte beachten Sie, dass auf dem Display der aktuelle Aufenthaltsort Ihrer Katze nur auf diese allgemeine Weise angezeigt werden kann. Es wird damit nämlich durch das Erfassen der Öffnung der Klappe nur der letzte Durchgang der betreffenden Katze angezeigt. Die Ergebnisse können irreführend sein, wenn die Katze auch andere Eintritts- bzw. Austrittsmöglichkeiten hat, oder wenn etwa eine Katze einer anderen Katze ohne Schließung der Klappe dicht gefolgt ist; auch wenn eine Katze bloß den Kopf durch die Klappe hinein oder hinaus gestreckt hat, wird dies entsprechend erfasst, usw.

8. Betrachten, wann die Katze(n) zuletzt die Klappe betätigt hat/haben

8.1 Zur Überprüfung, vor wieviel Stunden und Minuten die Katzen 1, 2 oder 3 zuletzt die Katzenklappe benutzt haben, auf die Taste '+' drücken.

8.2 Im Display werden das Symbol für KATZE 1 und die Zahl der Stunden und Minuten, seit KATZE 1 die Klappe benutzt hat, angezeigt, und zwar für einen maximalen Zeitraum von 99 Stunden.

8.3 Zum Erhalt der gleichen Angaben über die Katzen 2 und 3 erneut auf '+' drücken.

8.4 Ein viertes Mal auf '+' drücken (oder 20 Sekunden warten), und das Display kehrt zu seiner normalen Anzeige zurück.

9. Zutrittsoptionen

Die verfügbaren Zutrittsoptionen sind untenstehend gezeigt.



Ein und Aus

Die Katze(n) kann/können durch die Klappe ein- und austreten.



Nur Eingang

Die Katze(n) kann/können durch die Klappe eintreten, doch nicht austreten.



Nur Ausgang

Katze(n) kann/können durch die Klappe austreten, doch nicht eintreten



Verriegelt

Katze(n) kann/können die Klappe nicht betätigen

Eine Zutrittsoption wie folgt wählen:

9.1 Die Taste '4 WAY' 5 Sekunden lang drücken, bis die Anzeige blinkt.

9.2 Wiederholt auf die Taste '4 WAY' drücken und damit die verfügbaren Zutrittsoptionen durchlaufen, bis die gewünschte Option erscheint.

9.3 Auf die Taste 'PROG' drücken, womit Ihre Einstellung gespeichert wird.

9.4 Einstellen von INDIVIDUELLEN Zugangsoptionen (2 - 9 Katzen)

Wenn jede einzelne Katze ihre eigene Zugangsoption haben soll - wenn z. B. für Katze 1 der Austritt GESPERRT sein soll, während für Katze 2 nur der AUSTRITT möglich sein soll, wie folgt vorgehen:

HINWEIS: Bei dieser Einstellung ist es jedoch dennoch möglich, dass eine dicht auf eine austretende Katze folgende Katze durch die Klappe schlüpf.

9.4.1 Die Taste '4 WAY' 5 Sekunden lang drücken, bis die Anzeige blinkt.

9.4.2 Wiederholt auf die Taste '4 WAY' drücken, bis 'IND' auf dem LCD-Display erscheint (③, Abb. 1).

9.4.3 Auf die Taste 'PROG' drücken, womit Ihre Einstellung gespeichert wird.

9.4.4 Wiederholt auf die Taste '4 WAY' drücken, bis die gewünschte Zugangsoption für Katze 1 erscheint.

9.4.5 Auf die Taste 'PROG' drücken, womit Ihre Einstellung gespeichert wird.

9.4.6 Die Schritte 9.4.4 und 9.4.5 für alle Katzen mit einer programmierten I.D.-Marke wiederholen.

HINWEIS: Die individuellen Einstellungen für jede Katze können jederzeit überprüft werden. Zu diesem Zweck die Taste "4 WAY" 1 Sekunde lang wiederholt drücken und loslassen.

9.5 Einstellen der Schaltuhrsteuerung (Timer)/Uhr für ALLE Katzen

Wenn die Katzenklappe so eingestellt werden soll, dass ALLE Katzen in einem bestimmten Zeitraum eine vorbestimmte Zugangsoption (siehe Abb. 6) haben, z. B. Ihre Katze über Nacht zwischen 19:00 Uhr und 06:00 Uhr im Haus bleiben soll, so müssen Sie zuerst entscheiden:

a) Welche Verriegelungseinstellung WÄHREND des festgelegten Zeitraums gelten soll (im obigen Beispiel auf 'NUR EIN' beschränkt). Außerhalb des festgelegten Zeitraums gelten dann die in 9.1 bis 3.3 erfolgten Einstellungen.

b) Wann der festgelegte Zeitraum beginnen soll ('START' - im obigen Beispiel um 19:00 Uhr).

c) Wann der festgelegte Zeitraum enden soll ('FINISH' - im obigen Beispiel um 06:00 Uhr).

d) Die aktuelle Uhrzeit muss bekannt sein.

Wie folgt vorgehen:

HINWEIS: Wenn nach dem Drücken einer Taste mehr als 60 Sekunden verstreichen, kehrt das Display zur Normalanzeige zurück, und der Vorgang muss erneut begonnen werden.

9.5.1 Taste 'TIMER' 5 Sekunden lang drücken, bis die TIMER-Funktionsanzeige im Display blinkt.

9.5.2 Wiederholt auf die Taste '4 WAY' drücken, bis das gewünschte Symbol für die auszuwählende Zugangsoption erscheint: EIN & AUS, NUR EIN, NUR AUS, VERRIEGELT oder 'OFF' (AUSGESCHALTET).

9.5.3 Auf die Taste 'PROG' drücken, womit Ihre Einstellung gespeichert wird.

9.5.4 Im Display wird die Uhrzeit angezeigt, wobei das Minutensymbol blinkt. Wiederholt auf die Taste '+' drücken, bis die aktuelle Minuteneinstellung angezeigt wird (z. B. 10, wenn die aktuelle Uhrzeit 12:10 Uhr ist).

9.5.5 Auf die Taste 'PROG' drücken, womit Ihre Einstellung gespeichert wird.

9.5.6 Im Display wird nun die Uhrzeit angezeigt, wobei das Uhrensymbol blinkt. Wenn zwischen der 24-Stunden-Uhr und der 12-Stunden-Uhr (AM/PM-Anzeigen) umgeschaltet werden soll, auf Taste 'TIMER' drücken.

9.5.7 Wiederholt auf die Taste '+' drücken, bis die aktuelle Stundeneinstellung angezeigt wird (z.B. 12, wenn die aktuelle Uhrzeit 12:10 Uhr ist).

9.5.8 Auf die Taste 'PROG' drücken, womit Ihre Einstellung gespeichert wird.

9.5.9 Im Display erscheint nun 'START', und die Minuten blinken. Auf die Taste '+' drücken, bis die aktuelle Minuteneinstellung angezeigt wird, (im obigen Beispiel '00'). Auf die Taste 'PROG' drücken, womit Ihre Einstellung gespeichert wird.

9.5.10 Dann die Stunden auf die gleiche Weise einstellen (im obigen Beispiel 19:00).

9.5.11 Im Display wird die 'FINISH'-Zeit (Ablaufzeit) angezeigt. Diese auf gleiche Weise wie die 'START'-Zeit einstellen. Auf die Taste 'PROG' drücken, womit Ihre Einstellung gespeichert wird.

Sobald der Timer eingestellt ist, wird die TIMER-Funktion (⑥, Abb. 1) auf dem Display angezeigt. Wenn die zeitgesteuerte Verriegelung aktiv ist, blinkt das in 9.2 gewählte Symbol für die Zugangsoption langsam.

Zum Überprüfen der Timer-Einstellungen kurz auf die Taste 'TIMER' drücken und loslassen. Im Display werden nun die gewählte Zugangsoption und die 'START'-Zeit angezeigt. Erneut auf die Taste 'TIMER' drücken und damit die 'FINISH'-Zeit (Ablaufzeit) anzeigen. Die Anzeige geht nach 5 Sekunden wieder auf die aktuelle Zeit zurück.

Beenden der Schaltuhr-Steuerung (Timer) und Rückkehr zur normalen Zugangsoption:

9.5.12 Taste 'TIMER' 5 Sekunden lang drücken.

9.5.13 Auf die Taste '4 WAY' drücken und die verfügbaren Optionen durchlaufen, bis 'OFF' (Ausgeschaltet) erscheint.

9.5.14 Zur fortgesetzten Erhaltung der aktuellen Uhrzeit 3 Mal auf die Taste 'PROG' drücken und zur normalen Anzeige zurückkehren.

10. Auswechseln der Batterie

Sobald sich die BATTERIEZUSTANDANZEIGE einschaltet (④, Abb. 1), müssen Alkali-Mangan-Batterien ersetzt werden (siehe Abschnitt 2).

Nach dem Einlegen neuer Batterien ist zu beachten:

- Die BATTERIEZUSTANDANZEIGE kann bis zu 15 Minuten danach noch sichtbar bleiben.
- Klappe erkennt zwar alle Mikrochips und I.D.-Marken und speichert Verriegelungseinstellungen und Verriegelungszeiten, doch es MUSS DIE AKTUELLE UHRZEIT ERNEUT EINGESTELLT WERDEN (siehe Abschnitt 8.4).

11. Umprogrammieren einer I.D-Märke

- 11.1 Die Taste 'PROG' 5 Sekunden lang drücken; nun wird die nächste nicht benutzte Katzennummer blinken, und Linien laufen um die ersten ZWEI NULLSTELLEN.
- 11.2 Auf '+' drücken, um die entsprechende Katzennummer zum Umprogrammieren oder die nächste verfügbare Katzennummer zu wählen. (Wenn 'P' neben der Katzennummer steht, wird damit angezeigt, dass hier bereits eine Katze programmiert ist. Eine Umprogrammierung wird jedoch wie folgt ausgeführt.)
- 11.3 Vorderseite der I.D.-Marke an die Klappe halten (Abb. 4).
- 11.4 Die beiden drehenden ZWEI NULLSTELLEN verschwinden dann, und 'Pr' beginnt zu blinken.
- 11.5 Auf die Taste 'PROG' drücken, womit Ihre Einstellung gespeichert wird.
- Für weitere (bis zu maximal 9) Katzen die Schritte 11.1 bis 11.5 wiederholen.*

12. Rücksetzen auf werksseitige Einstellungen

Zum Zurücksetzen der Katzenklappe auf die Einstellungen zum Zeitpunkt ihres Kaufes die Taste '+' drücken und zirka 30 Sekunden lang gedrückt halten, bis alle Symbole auf dem LCD-Display erscheinen. Sobald die selbsttätige Überprüfung abgeschlossen ist, wird im Display nur das Symbol für 'EIN & AUS' angezeigt. Damit werden I.D.-Marken und sämtliche anderen Einstellungen gelöscht. Es ist dann erforderlich des I.D.-Marken-Einstellungen neu zu programmieren (siehe Abschnitt 3).

13. Hochsicherheitsmodus

Diese Katzenklappe wird mit Hochsicherheitsmodus aktiviertem ('Eon') geliefert, damit unerwünschtes Eindringen von anderen Katzen oder Waschbären wirksam verhindert wird.

Wenn Ihre Katze nach dem erfolgreichen GEWÖHNUNGS-MODUS immer noch Schwierigkeiten hat, die Katzenklappen zu benutzen, können Sie den Hochsicherheitsmodus vorübergehend ('EOFF') oder dauerhaft deaktivieren, um leichteren Ein- und Austritt für Ihre Katze zu ermöglichen.

Der Hochsicherheitsmodus kann wie folgt deaktiviert werden:

- 13.1 Die Taste 'PROG' drücken und gedrückt halten und innerhalb von 3 Sekunden kurz die Taste '+' drücken. Sobald im Display 'Eon' (Hochsicherheitsmodus aktiviertem) angezeigt wird, die Taste 'PROG' freigeben.
- 13.2 Zwischen 'Eon' und 'EOFF' kann durch Drücken auf die Taste '4 WAY' hin- und herschaltend werden. Zur Speicherung der Einstellung auf 'PROG' drücken.

14. Fehlersuche

14.1 Katze verweigert die Verwendung der Klappe

Es kann manchmal einige Zeit dauern, bis eher scheue Katzen den Gebrauch der Katzenklappe erlernen - selbst dann, wenn sie bereits vorher eine andere Katzenklappe benutzt haben.

- Versuchen Sie es vorerst mit dem GEWÖHNUNGS-MODUS (siehe Abschnitt 6).
- Deaktivieren Sie den Hochsicherheitsmodus, damit Ihre Katze es einfacher findet, die Klappe zu benutzen (siehe Abschnitt 13)..

14.2 Klappe reagiert nicht auf programmierte I.D-Märke oder programmierten Mikrochip

- Wenn die Klappe in eine UPVC/Metall-Tür eingebaut wurde, sicherstellen, dass die Größe des Ausschnitts stimmt (siehe Abschnitt 4.2).
- Wenn die Klappe in eine UPVC/Metall-Tür eingebaut wurde, überprüfen, dass sie neu abgeglichen ist: Zu diesem Zweck die Batterien mindestens 2 Minuten lang herausnehmen.

- Überprüfen Sie, dass der 4-Wege-Verschluss für den Zutritt in der gewünschten Richtung programmiert ist (siehe Abschnitt 9).
- Sicherstellen, dass keine zeitgesteuerte Verriegelung aktiviert ist (wird durch eine blinkende 4-Wege-Verriegelungseinstellung angezeigt). Falls erforderlich, die zeitgesteuerte Verriegelung beenden (siehe Abschnitte 9.5.12 bis 9.5.14).
- Wenn im Display "IND" angezeigt ist, überprüfen, dass der Zugang für die betreffende Katze in der gewünschten Richtung eingestellt ist. Zu diesem Zweck eine Sekunde lang auf die Taste "4 WAY" drücken und wiederholt loslassen. Falls erforderlich, die Zugangsoption für die betreffende Katze erneut programmieren (siehe Abschnitt 9.4).
- Der Hochsicherheitsmodus ist wahrscheinlich aktiviert worden (durch "Eon" auf dem Display angezeigt). Die Klappe nicht bewegen, bis "Eon" verschwunden ist.
- Überprüfen, dass die Batterien in der richtigen Richtung eingelegt sind (Abb.3) und dass das Symbol für die Anzeige eines niedrigen Ladezustands der Batterien (4, Abb. 1) nicht angezeigt ist.
- Überprüfen, dass die I.D.-Marke entsprechend am Halsband der Katze angebracht ist (siehe Abschnitt 5.2).
- Wenn möglich, die Funktion mit einer anderen programmierten I.D.-Marke überprüfen, um eine eventuelle Fehlfunktion bei einer I.D.- Marke feststellen zu können.
- Überprüfen, dass die Katzenklappe in der entsprechenden Höhe montiert ist (siehe Abschnitt 4).
- Wenn damit keine Abhilfe geschaffen wird, die Batterien entfernen und mindestens 5 Minuten warten. Batterien wieder einlegen und die Katzenklappe auf die WERKSSEITIGEN EINSTELLUNGEN zurücksetzen (siehe Abschnitt 12).

14.3 Klappe nach Betätigung nicht voll geschlossen

- Überprüfen, dass die 2 Halteschrauben des Rahmens der Katzenklappe nicht zu fest angezogen sind. Versuchsweise die Schrauben ein wenig lockern.
- In seltenen Fällen kann ein ungewöhnlicher Vorfall die elektronische Funktion beeinträchtigen. Ein solches Problem wird sich normalerweise innerhalb von 30 Minuten von selbst bereinigen. Sollte es jedoch weiterhin auftreten, so nehmen Sie die Batterien heraus und legen Sie diese 5 Minuten später wieder ein. Die Verriegelung wird dann wieder wie gewünscht arbeiten.

14.4 Schwierigkeiten beim Einstellen von gewünschten Funktionen/Zeiten

- Einstell Tasten müssen fest gedrückt werden.
- Nach Vornahme jeder Änderung muss zum Speichern der neuen Einstellung stets die Taste 'PROG' gedrückt werden.

14.5 Display bleibt stecken

- Batterien herausnehmen und 5 Minuten später wieder einsetzen.
- Wenn das Display weiterhin stecken geblieben ist, die Katzenklappe auf die WERKSSEITIGEN EINSTELLUNGEN zurücksetzen (siehe Abschnitt 12).

14.6 Klappe verriegelt sich nicht

- Überprüfen, dass sich die Klappe nicht im GEWÖHNUNGS-MODUS befindet (wird durch langsam blinkende Pfeile angezeigt).
- 30 Minuten warten, bis die Selbstkorrektur wirksam wird.

1. Introduction

Merci d'avoir choisi la chatière disque d'identification avec fonction de temporisation de Cat Mate Elite.

VEUILLEZ LIRE ATTENTIVEMENT CES INSTRUCTIONS ET PROGRAMMER LA CHATIERE AVANT DE L'INSTALLER.

La chatière disque d'identification avec fonction de temporisation de Cat Mate Elite permet de contrôler l'entrée individuelle et la sortie d'un maximum de 9 chats. Si nécessaire, une fonction de minuterie de dépassement peut contrôler le verrouillage à 4 voies pour TOUS les chats. En outre, elle vous permet de surveiller les mouvements d'un maximum de 3 chats individuels - en effet, elle vous indique l'heure de la dernière entrée ou sortie de votre chat par la chatière, ainsi que le nombre d'heures écoulées depuis qu'il l'a utilisée pour la dernière fois.

Afin d'éviter que vos réglages ne soient facilement modifiés, nous avons conçu les touches de commandes de sorte qu'elles nécessitent une pression ferme pour fonctionner.

Si vous souhaitez arrêter n'importe quelle tâche (sauf la programmation) à un stade quelconque, le système s'arrêtera au bout de 60 secondes.

Les réglages ne seront sauvegardés que si vous appuyez sur la touche « PROG ».

2. Installation des piles

2.1 Retirez le couvercle de la pile en le poussant vers le haut (voir la fig. 2). Le couvercle sautera.

2.2 Insérez 4 piles alcalines AA (R6) comme illustré, (fig. 3), en faisant glisser les 2 batteries du fond en premier.

2.3 La chatière effectuera un test automatique pendant un maximum de 60 secondes, ce n'est qu'après ce contrôle que les flèches d'entrée et de sortie s'afficheront sur l'écran à cristaux liquides. La chatière sera alors prête à être programmée.

Vous pouvez utiliser toutes les piles courantes, y compris les piles rechargeables au lithium, mais le témoin de pile ne fonctionne correctement qu'avec les piles alcalines. Les piles alcalines de bonne qualité devraient durer environ 12 mois (selon le nombre de chats et l'utilisation).

3. Programmation

L'étape suivante consiste à programmer le disque d'identification appartenant à chaque chat.

REMARQUE : La séquence de programmation est un moment important et sensible. Si chaque étape n'est pas effectuée sous 15 minutes environ, l'écran LCD reviendra à l'affichage normal.

Pour que la chatière reconnaisse le disque d'identification de votre chat (vos chats), il vous faudra procéder comme suit :

3.1 Maintenez le bouton « PROG » enfoncé pendant 5 secondes (①, fig. 1) jusqu'à ce que le témoin de recherche (②, fig. 1) s'affiche.

3.2 Les mentions « CAT1 » et numéro 1 clignoteront - et vous verrez des lignes tourner autour des deux premiers « ZÉROS ».

3.3 Placez l'avant du disque d'identification contre la chatière (fig. 4).

3.4 Lorsque le système sera programmé, les deux « ZÉROS » disparaîtront et la mention « Pr1 » clignotera.

3.5 Appuyez sur la touche « PROG » pour sauvegarder le réglage.

Pour ajouter des chats supplémentaires, jusqu'à un maximum de 9, répétez les étapes 3.1 à 3.5.

4. Instructions de montage

IMPORTANT - NE COUPEZ PAS LE TUNNEL DE LA CHATIERE.

4.1 Portes en bois de 0-50mm d'épaisseur

4.1.1 Placez le cadre extérieur dans la position souhaitée sur le sol. Nous vous recommandons de placer le bas de l'ouverture à environ 150mm au-dessus du niveau du sol. (fig. 5a). Si vous devez installer la chatière plus haut, prévoyez une marche pour aider votre chat à entrer.

4.1.2 Marquez autour de l'ouverture (fig.5a), puis coupez à 5mm à l'extérieur de la ligne à l'aide d'une scie sauteuse. (fig. 5b).

Veillez à ce que la découpe soit bien d'équerre par rapport à la porte, notamment dans le cas des portes épaisses. Veillez à ce que l'orifice soit de taille suffisante pour le cadre intérieur.

4.1.3 Déterminez l'épaisseur du panneau de porte, (t). (fig. 7).

4.1.4 En maintenant le cadre intérieur et le cadre extérieur en place, marquez les trous des 2 vis. (fig. 8).

4.1.5 Retirez les cadres et percez des trous de 6mm de diamètre pour le passage des vis dans le panneau.

4.1.6 Positionnez le cadre intérieur sur le côté intérieur de la porte et vissez le cadre extérieur dessus en utilisant des vis adaptées à l'épaisseur du panneau, (t), comme illustré à la fig. 9. Si nécessaire, découpez les vis fournies à la bonne longueur. Enfin, placez-les deux capuchons sur les vis.

4.2 Portes en UPVC/métal de 0-50mm d'épaisseur

Les portes constituées de panneaux métalliques peuvent réduire la portée du lecteur de micropuce. Vous pouvez tester les panneaux métalliques en perçant un petit trou d'essai au milieu de l'emplacement prévu pour la chatière.

Pour les portes en UPVC/métal, il est essentiel de couper un trou plus large que pour les portes en bois et de régler la chatière comme ci-dessous :

4.2.1 Placez le cadre extérieur dans la position souhaitée sur le sol. Nous vous recommandons de placer le bas de l'ouverture à environ 150mm au-dessus du niveau du sol. (fig. 6a). Si vous devez installer la chatière plus haut, prévoyez une marche pour aider votre chat à entrer.

4.2.2 Marquez autour de l'EXTÉRIEUR du cadre. (fig. 6b). À l'aide d'une scie sauteuse électrique, découpez à 12 mm À L'INTÉRIEUR de la ligne (fig. 6b).

4.2.3 Déterminez l'épaisseur du panneau de porte, (t). (fig. 7).

4.2.4 Positionnez le cadre intérieur sur le côté intérieur de la porte et vissez le cadre extérieur dessus en utilisant des vis adaptées à l'épaisseur du panneau, (t), comme illustré à la fig. 9. Si nécessaire, découpez les vis fournies à la bonne longueur. **NE SERREZ PAS LES VIS TROP FORT**, car cela pourrait empêcher la chatière de se fermer correctement - utilisez un tournevis manuel. Enfin, placez-les deux capuchons sur les vis.

4.2.5 Retirez les piles pendant au moins 2 minutes après installation. Cela permettra à la chatière de se recalibrer pour son nouvel emplacement.

4.3 Panneaux en verre

4.3.1 Nous vous recommandons de faire découper par un vitrier un trou de 232mm de diamètre à la position requise, puis d'insérer la chatière comme précisée ci-dessous. Si vous préférez, il est également possible de remplacer le panneau de verre par un panneau en plastique transparent et d'installer la chatière en suivant les instructions 4.1.1 à 4.1.6.

Remarque : Il n'est pas possible de découper un trou dans du double vitrage ni dans du verre trempé. Vous aurez besoin de vous procurer auprès de votre vitrier un nouveau panneau déjà découpé.

4.3.2 Déterminez l'épaisseur du panneau de porte, (t). (fig. 7).

- 4.3.3 Le joint en mousse noire ne convient pas au verre et devra être retiré. Si vous le souhaitez, il est possible d'étanchéiser le cadre extérieur au moyen d'un mastic à base de silicone.
- 4.3.4 Positionnez le cadre intérieur sur le côté intérieur de la porte et vissez le cadre extérieur dessus en utilisant des vis adaptées à l'épaisseur du panneau, (t), comme illustré à la fig. 9. Si nécessaire, découpez les vis fournies à la bonne longueur. **NE SERREZ PAS LES VIS TROP FORT**, car cela pourrait empêcher la chatière de se fermer correctement - utilisez un tournevis manuel. Enfin, placez-les deux capuchons sur les vis.

4.4 Fixation murale

Si vous installez votre chatière dans un mur, vous aurez besoin d'acheter des revêtements muraux Cat Mate Elite. Vous aurez besoin d'1 revêtement mural pour chaque 50mm d'épaisseur de la paroi au-delà de 50mm.

- 4.4.1 Découpez un rectangle de 205mm de hauteur par 180mm de largeur dans votre mur.
- 4.4.2 Retirez le couvercle de la pile du cadre intérieur en poussant vers le haut comme illustré (fig. 2).
- 4.4.3 Retirez le couvercle du cadre intérieur en désertant les 2 vis à l'arrière du cadre intérieur (fig. 10). *(Remarque : vous pouvez mettre ces deux vis au rebut, car il sera impossible de les réinstaller)*. Ensuite, retirez les 2 vis extérieures sous le couvercle de la pile et ôtez le cadre intérieur en le faisant pivoter vers le bas. (fig. 11).
- 4.4.4 Fixez avec précautions les 2 clips des vis avec des pinces. (fig. 12).
- 4.4.5 Installez le câble intérieur assemblé avec un nombre adéquat de cache-découpe, en fixant l'ensemble à l'intérieur du mur au moyen de 2 vis adéquates, comme illustré à la fig. 13. *(Remarque : vous aurez besoin de placer une rondelle (non fournie) sous la tête des vis)*. Si nécessaire, il est possible de coller les cache-découpe en place, bien qu'il suffise habituellement de les pousser fermement.
- 4.4.6 Fixez à nouveau le couvercle du cadre intérieur au moyen des 2 vis situées sous le couvercle de la pile en veillant à ne pas pincer les fils électriques. Remettez le couvercle de la pile en place.
- 4.4.7 Fixez au cadre extérieur en utilisant les 2 vis de 25mm fournies et enfin, placez-les 2 capuchons sur les vis.

5. Pose d'un(de) disque(s) d'identification sur votre(vos) chat(s)

- 5.1 Si vous le souhaitez, notez les détails de votre chat sur l'étiquette du disque d'identification en utilisant un stylo et en recouvrant avec la feuille transparente étanche pour protéger l'écriture.
- 5.2 **IMPORTANT** : fixez directement le disque d'identification au collier (ET NON PAS à un anneau fixé au collier) afin qu'il soit positionné aussi haut que possible et parallèle à la chatière (comme illustré à la fig. 14).

Nous recommandons l'utilisation d'un collier en tissu ne comportant pas de grosses médailles métalliques (autres disques d'identification, etc.).

6. Comment habituer votre chat à utiliser la chatière (ou comment faire s'il a perdu son disque d'identification)

Votre chat pourra mettre quelque temps à s'habituer à sa nouvelle chatière. Pour habituer votre chat à entrer et sortir par la chatière, il est possible de régler cette dernière en « MODE D'ENTRAÎNEMENT » en maintenant la touche « PROG » enfoncée et en appuyant brièvement sur la touche « 4 WAY » dans un délai de 3 secondes.

Après 5 secondes, le verrou se débloquera et on devra relâcher le bouton « PROG ». Le symbole « IN & OUT » (Entrée & sortie) clignotera.

Sachez néanmoins qu'en « MODE D'ENTRAÎNEMENT », votre chatière laissera également passer les autres animaux.

Pour quitter le « MODE D'ENTRAÎNEMENT », maintenez enfoncé le bouton « PROG » et dans un délai de 3 secondes, appuyez brièvement sur le bouton « 4-WAY ». Après 5 secondes, la chatière se verrouillera à nouveau et on devra relâcher le bouton « PROG ».

Pour les chats très hésitants, placez la chatière en « MODE D'ENTRAÎNEMENT » et utilisez de la nourriture pour encourager l'animal à entrer et sortir par la chatière.

REMARQUE : nous vous recommandons de **NE PAS laisser les chats, en particulier les chatons, utiliser la chatière seuls tant que vous ne serez pas absolument sûr qu'ils maîtrisent son fonctionnement.**

Si votre chat a toujours de la difficulté à utiliser la chatière après avoir utilisé avec le mode d'entraînement, vous pourriez peut-être désactiver temporairement le mode haute sécurité ou de manière permanente pour permettre l'entrée / sortie de votre chat (voir la section 13).

7. Localisation de votre chat

L'affichage à cristaux liquides permet de localiser d'un coup d'œil jusqu'à 3 chats.



Le dernier chat qui est passé par la chatière pour entrer dans la maison.



Le dernier chat qui est passé par la chatière pour sortir de la maison.

Veillez noter que cet affichage ne vous donne qu'une simple indication de la localisation de votre chat. La chatière détermine la localisation de votre animal en enregistrant ses derniers passages. Cette indication peut être incorrecte si le chat a à sa disposition une autre voie d'entrée/sortie de la maison ou s'il a suivi un autre animal qui est passé par la chatière, s'il a simplement sorti le bout de son museau, etc.

8. Visualisation du temps écoulé depuis la dernière utilisation de la chatière par le(s) chat(s)

- 8.1 Pour savoir combien d'heures et de minutes se sont écoulées depuis que les chats 1, 2 ou 3 ont utilisé la chatière pour la dernière fois, appuyez sur la touche « + ».
- 8.2 L'écran affichera le symbole correspondant au Chat 1 et le nombre d'heures et de minutes écoulées depuis qu'il a utilisé la chatière (jusqu'à un maximum de 99 heures).
- 8.3 Appuyez à nouveau sur « + » pour obtenir des indications similaires sur les chats 2 et 3.
- 8.4 Appuyez sur « + » une quatrième fois (ou patientez 20 secondes) pour revenir à l'affichage normal.

9. Options d'accès

Les options d'accès disponibles sont indiquées ci-dessous.



Entrée & sortie

(« In & Out »)

Votre(vos) chat(s) peut(peuvent) maintenant entrer et sortir par la chatière



Entrée seulement

(« In Only »)

Vos chats peuvent entrer par la chatière mais ne peuvent pas sortir



Sortie seulement

(« Out Only »)

Les chats peuvent sortir par la chatière, mais ne peuvent pas entrer



Verrouillée

(« Locked »)

Les chats ne peuvent pas utiliser la chatière

Sélectionnez une option d'accès comme suit :

- 9.1 Maintenez la touche « 4 WAY » enfoncée pendant 5 secondes jusqu'à ce que l'affichage clignote.
- 9.2 Appuyez plusieurs fois sur la touche « 4 WAY » pour faire défiler les options d'accès disponibles, jusqu'à ce que vous trouviez celle que vous recherchez.
- 9.3 Appuyez sur la touche « PROG » pour sauvegarder le réglage.

9.4 Réglage des options d'accès INDIVIDUELLES (2-9 chats)

Si vous souhaitez attribuer une option d'accès individuelle à chacun de vos chats, par exemple en gardant la chaudière verrouillée (« LOCKED ») pour le Chat 1, tout en laissant le Chat 2 sortir seulement (« OUT ONLY »), veuillez procéder comme suit :

REMARQUE : ce réglage n'empêchera pas un chat qui n'est pas autorisé à suivre « en file indienne » un autre chat qui y est, lui, autorisé.

- 9.4.1 Maintenez la touche « 4 WAY » enfoncée pendant 5 secondes jusqu'à ce que l'affichage clignote.
- 9.4.2 Appuyez plusieurs fois sur la touche « 4 WAY » jusqu'à ce que la mention « IND » apparaisse sur l'écran à cristaux liquides (③, fig. 1).
- 9.4.3 Appuyez sur la touche « PROG » pour sauvegarder le réglage.
- 9.4.4 Appuyez plusieurs fois sur la touche « 4 WAY » jusqu'à obtention de l'option d'accès requise pour le Chat 1.
- 9.4.5 Appuyez sur la touche « PROG » pour sauvegarder le réglage.
- 9.4.6 Répétez les étapes 9.4.4 et 9.4.5 ci-dessus pour tous vos chats dotés d'un disque d'identification programmé.

REMARQUE : pour vérifier à n'importe quel moment les réglages individuels effectués pour vos chats, appuyez plusieurs fois sur la touche « 4 WAY » pendant 1 seconde.

9.5 Réglage du temporisateur/de l'horloge pour TOUS les chats

Si vous souhaitez configurer votre chaudière de sorte que TOUS les chats aient une option d'accès particulière, sur une période de temps donnée, par exemple, si vous souhaitez empêcher vos chats de sortir entre 19h00 et 06h00, il vous faudra d'abord décider :

- a) Quel type de verrou vous souhaitez appliquer durant la période en question, (dans l'exemple ci-dessus, il s'agira de « IN ONLY » - Entrée seulement). En dehors de la période temporisée, le réglage de verrouillage décrit de 9.1 à 9.3 s'appliquera.
- b) À quel moment la période en question devra démarrer (« START ») (dans l'exemple ci-dessus 19h00).
- c) À quel moment la période en question devra se terminer (« FINISH ») (dans l'exemple ci-dessus 06h00).
- d) Vous aurez également besoin de connaître l'heure actuelle.

Veuillez procéder comme suit :

REMARQUE : si vous n'appuyez sur aucune touche pendant plus de 60 secondes, l'affichage se replacera en mode normal et il vous faudra recommencer.

- 9.5.1 Appuyez sur la touche « TIMER » pendant 5 secondes jusqu'à ce que le témoin de fonction de minuterie clignote.
- 9.5.2 Appuyez plusieurs fois sur la touche « 4 WAY » pour choisir entre les options d'accès suivantes : « IN & OUT » (Entrée & sortie), « IN ONLY » (Entrée seulement), « OUT ONLY » (Sortie seulement), « LOCKED » (Verrouillée) ou « OFF » (ARRÊT).
- 9.5.3 Appuyez sur la touche « PROG » pour sauvegarder le réglage.
- 9.5.4 L'écran affichera l'heure avec le symbole des minutes qui clignotera. Appuyez plusieurs fois sur la touche « + » jusqu'à obtention du réglage correct des minutes (c'est à dire 10 s'il est actuellement 12h10).
- 9.5.5 Appuyez sur la touche « PROG » pour sauvegarder le réglage.
- 9.5.6 L'écran affichera maintenant l'heure avec le symbole des heures qui clignotera.
Si vous désirez permuter entre un affichage 24 heures et/ou 12 heures, appuyez sur la touche « TIMER ».
- 9.5.7 Appuyez plusieurs fois sur la touche « + » jusqu'à obtention du réglage correct des heures (par exemple, 12 s'il est actuellement 12h10).
- 9.5.8 Appuyez sur la touche « PROG » pour sauvegarder le réglage.

9.5.9 L'écran affichera la mention « START » et les minutes clignoteront. Appuyez sur la touche « + » jusqu'à obtention du réglage correct des minutes, (dans l'exemple ci-dessus « 00 »). Appuyez sur la touche « PROG » pour sauvegarder le réglage.

9.5.10 Puis, réglez les heures de la même manière (dans l'exemple ci-dessus, 19h00).

9.5.11 L'écran affichera l'heure d'arrêt (« FINISH »). Réglez-la de la même manière que pour l'heure de démarrage. N'oubliez pas d'appuyer sur « PROG » pour sauvegarder le réglage.

Lorsque la minuterie sera réglée, le témoin de fonction de minuterie (⑥, fig. 1) s'affichera à l'écran.

Lorsque le verrou temporisé est actif, le symbole correspondant à l'option d'accès choisie en 9.2 clignote lentement.

Pour vérifier le réglage de la minuterie, appuyez brièvement sur la touche « TIMER » et relâchez-la. L'écran affichera l'option d'accès temporisée sélectionnée et l'heure de démarrage. Appuyez à nouveau sur la touche « TIMER » pour faire apparaître l'heure d'arrêt (« FINISH »). L'affichage reviendra à l'heure actuelle après 5 secondes.

Pour annuler le contrôle temporisé et revenir à l'option d'accès normale :

9.5.12 Appuyez sur la touche « TIMER » pendant 5 secondes.

9.5.13 Appuyez sur la touche « 4 WAY » et refaites défiler les options jusqu'à ce que vous arriviez à « OFF » (arrêt).

9.5.14 Appuyez 3 fois sur la touche « PROG » pour conserver l'heure actuelle et revenir à l'affichage normal.

10. Changement de la pile

Lorsque le témoin des piles s'allume (④, fig. 1), cela signifie qu'il est nécessaire de changer les piles alcalines. (Voir la section 2).

À noter, après l'insertion de piles neuves :

• Le témoin des piles peut rester allumé jusqu'à 15 minutes.

• La chaudière mémoriserait toutes les micropuces et les disques d'identification, les paramètres de verrouillage et les heures de temporisation, mais IL SERA NÉCESSAIRE DE RÉGLER L'HEURE À NOUVEAU. (Voir la section 9.4).

11. Reprogrammation un disque d'identification

11.1 Appuyez sur le bouton « PROG » pendant 5 secondes, le numéro de chat suivant inutilisé se mettra à clignoter et des lignes en mouvement apparaîtront autour des deux premiers « ZÉROS ».

11.2 Appuyez sur la touche « + » pour sélectionner le numéro de chat approprié que vous souhaitez reprogrammer ou sélectionnez le prochain numéro de chat suivant disponible. (Un « P » à côté du numéro indique qu'il a déjà été programmé, mais vous pourrez le reprogrammer comme suit).

11.3 Placez l'avant du disque d'identification contre la chaudière (fig. 4).

11.4 Les deux « ZÉROS » en rotation disparaîtront ; la mention « Pr » clignotera.

11.5 Appuyez sur la touche « SET » pour sauvegarder le réglage.

Pour ajouter des chats supplémentaires, jusqu'à un maximum de 9, répétez les étapes 11.1 à 11.5.

12. Réinitialisation d'usine

Pour réinitialiser la chaudière et revenir au réglage d'usine, maintenez le bouton « + » enfoncé pendant environ 30 secondes jusqu'à ce que tous les symboles s'affichent à l'écran. Après une période d'autotest, le symbole « IN & OUT » (Entrée & sortie) sera le seul visible sur l'écran. Cette procédure effacera tous les disques d'identification et tous les autres paramètres. Vous devez ensuite reprogrammer les disques d'identification (voir la section 3).

13. Mode haute sécurité

Cette chatière est fournie avec le mode haute sécurité activé (« Eon ») pour empêcher toute entrée indésirable d'autres chats ou nuisibles.

Si votre chat a toujours de la difficulté à utiliser la chatière après avoir utilisé avec le mode d'entraînement, vous pouvez peut-être désactiver temporairement le mode haute sécurité (« EOFF ») ou de manière permanente pour permettre l'entrée / sortie de votre chat.

Pour désactiver le mode haute sécurité (« Eon »), procédez comme suit:

- 13.1 Maintenez le bouton « PROG » enfoncé et, dans un délai de 3 secondes, appuyez brièvement sur le bouton « + ». Lorsque l'affichage indique « Eon » (mode haute sécurité activé), relâchez le bouton « PROG ».
- 13.2 Vous pouvez commuter entre « Eon » et « EOFF » en appuyant sur le bouton « 4 WAY ». Appuyez sur « PROG » pour sauvegarder le réglage.

14. Dépannage

14.1 Le chat n'utilise pas la chatière

Il faut parfois un certain temps pour que les chats timides apprennent à se servir de la chatière - même s'ils en ont déjà utilisé une auparavant.

- Commencez par utiliser le « MODE D'ENTRAÎNEMENT » (voir la section 6).
- Désactivez le mode haute sécurité afin que votre chat trouve plus facile d'utiliser la chatière (voir la section 13).

14.2 La chatière ne s'ouvre pas en réponse à un disque d'identification programmé

- Si la chatière est montée dans une porte en UPVC/métal, veillez à ce qu'une découpe de taille correcte ait été effectuée (voir la section 4.2).
- Lorsqu'elle est montée sur une porte en UPVC/métal, vérifiez que l'unité ait bien été recalibrée en enlevant les piles pendant au moins 2 minutes.
- Vérifiez que le verrou à 4 positions est programmé pour permettre l'accès dans la direction souhaitée (voir la section 9).
- Vérifiez qu'un verrou temporisé ne soit pas actif (ce dont témoignera le clignotement du réglage 4 positions). Si nécessaire, annulez le verrou temporisé, (voir les sections 9.5.12 à 9.5.14).
- Si la mention « IND » apparaît à l'écran, vérifiez que le chat qui cherche à passer par la chatière y est autorisé dans la direction requise, en appuyant plusieurs fois sur la touche « 4 WAY » pendant 1 seconde. Si nécessaire, reprogrammer l'option d'accès individuelle du chat. (Voir la section 9.4).
- Il se peut que le mode haute sécurité ait été activé (ce qui est indiqué par la mention « Eon » à l'écran). Ne déplacez pas la chatière, jusqu'à ce que la mention « Eon » disparaisse.
- Vérifiez que les piles soient correctement orientées (fig.3) et que le symbole de pile faible (4, fig.1) ne soit pas affiché.
- Vérifiez que le disque d'identification soit correctement fixé au collier du chat (voir la section 5.2).
- Si possible, essayez de la faire fonctionner avec un autre disque d'identification pour vérifier que le problème ne se situe pas au niveau du disque.
- Vérifiez que la chatière soit positionnée à la bonne hauteur (voir la section 4).
- Si rien ne règle le problème, retirez les piles et patientez pendant un minimum de 5 minutes. Remettez les piles en place, puis effectuez une réinitialisation d'usine (voir la section 12).

14.3 La chatière ne s'est pas complètement fermée

- Vérifiez que le cadre de la chatière ne soit pas trop serré avec les 2 vis de fixation. Essayez de desserrer légèrement les vis.
- Il peut arriver très occasionnellement qu'il s'agisse d'une anomalie électronique, qui se corrigera normalement d'elle-même dans les 30 minutes. S'il persiste, retirez les piles pendant 5 minutes avant de les remettre en place, le verrou devrait fonctionner normalement ensuite.

14.4 Difficultés pour régler les fonctions requises/l'heure

- Il est nécessaire d'appuyer fermement sur les touches.
- N'oubliez pas d'appuyer sur la touche « PROG » après toute modification pour sauvegarder le réglage.

14.5 L'affichage se fige

- Retirez les piles pendant 5 minutes, puis remettez-les en place.
- Si l'écran est toujours figé, effectuez une réinitialisation d'usine (voir la section 12).

14.6 La chatière ne se verrouille pas

- Vérifiez que la chatière ne soit pas en « MODE D'ENTRAÎNEMENT » (clignotement lent des flèches).
- Patientez 30 minutes pour la correction automatique.

1. Introducción

Gracias por elegir la gatera con disco de I.D con control de tiempo de Cat Mate Elite.

LEA ESTAS INSTRUCCIONES ATENTAMENTE Y programe LA GATERA ANTES DE INSTALARLA.

La gatera de disco de I.D. con control de tiempo de Cat Mate Elite permite podrá controlar la entrada y la salida individual de hasta 9 gatos. Si es necesario, una función de tiempo de prioridad puede controlar el cerrojo de 4 posiciones para TODOS los gatos. Además, le permitirá monitorizar los movimientos de hasta 3 gatos individuales - mostrándole si su gato entró o salió por la gatera la última vez, y cuántas horas han pasado desde que su gato utilizó la gatera por última vez.

Para asegurar que los ajustes elegidos no puedan manipularse fácilmente, hemos creado botones de control cuyo accionamiento requiere una pulsación firme.

Si desea interrumpir una tarea en particular (excepto programación) en cualquier momento, el sistema se desconectará en 60 segundos.

Los ajustes no se guardarán a menos que pulse el botón 'PROG'.

2. Instalación de las pilas

2.1 Quite la cubierta de las pilas empujándola hacia arriba (véase la Fig. 2). La cubierta se soltará.

2.2 Introduzca 4 pilas alcalinas AA (R6) como se muestra en la (Fig. 3), deslizando las 2 pilas del fondo primero.

2.3 La gatera se autocomprobará durante 60 segundos como máximo; después de este período, sólo serán visibles las flechas 'ENTRAR Y SALIR' en la pantalla LCD. La gatera estará lista para programar.

Podrá utilizar todas las pilas comunes, incluyendo pilas recargables y de litio, pero el 'INDICADOR DE PILA' sólo funcionará correctamente con pilas alcalinas. Las pilas alcalinas de buena calidad durarán 12 meses aproximadamente (dependiendo del número de gatos y del uso).

3. Programación

El siguiente paso es programar el disco de I.D. de cada gato.

NOTA: La secuencia de programación es sensible al tiempo y la pantalla LCD volverá al estado normal si no se completa cada paso en aproximadamente 15 minutos.

Para que la gatera reconozca el disco de I.D. de su gato(s), deberá proceder de la siguiente manera:

3.1 Pulse y sujete el botón 'PROG' durante 5 segundos (①, Fig. 1) hasta que se visualice el indicador de búsqueda (②, Fig. 1).

3.2 El 'GATO 1' y el número 1 destellarán; observará líneas en movimiento alrededor de los primeros 'DOS CEROS'.

3.3 Coloque la parte delantera del disco de I.D. contra la gatera (Fig. 4).

3.4 Una vez realizada la programación, los 'DOS CEROS' desaparecerán y 'Pr1' destellará.

3.5 Pulse el botón 'PROG' para guardar el ajuste.

Para añadir más gatos, hasta un máximo de 9, repita los pasos del 3.1 al 3.5.

4. Instrucciones de Instalación

IMPORTANTE - NO CORTE EL TÚNEL DE LA GATERA.

4.1 Puertas de madera de 0-50mm de grosor

4.1.1 Coloque el marco exterior en la posición deseada de la puerta. Recomendamos que la parte inferior de la apertura se sitúe a 150mm aproximadamente del nivel del suelo (Fig. 5a). Si tiene que instalar a mayor altura, considere la colocación de un escalón para facilitar la entrada de su gato.

4.1.2 Dibuje alrededor de la abertura (Fig. 5a), y con una sierra de vaivén eléctrica corte 5mm por fuera de la línea dibujada (Fig. 5b).

Tenga cuidado de cortar el orificio en escuadra con la puerta, particularmente en puertas de cierto grosor. Asegúrese de que el marco exterior penetre fácilmente en el orificio.

4.1.3 Determine el grosor del panel de la puerta (t) (Fig. 7).

4.1.4 Sujetando los marcos interior y exterior en posición, marque los 2 orificios para los tornillos (Fig. 8).

4.1.5 Extraiga los marcos y taladre agujeros de 6mm de diámetro en el panel para los tornillos.

4.1.6 Coloque el marco interior en la parte interior de la puerta y atornille el marco exterior a éste utilizando tornillos apropiados para el grosor del panel, (t), como se muestra en la Fig. 9. Si fuera necesario, corte los tornillos provistos a la longitud requerida. Finalmente, coloque tapones en los dos tornillos.

4.2 Puertas de UPVC/metal de 0-50mm de grosor

Las puertas construidas con paneles metálicos pueden reducir el alcance del lector de microchip. Puede probar si existen paneles metálicos al perforar un orificio de prueba pequeño en el medio de la ubicación prevista para la gatera.

Para las puertas de UPVC/metal es esencial cortar una abertura más grande que para las puertas de madera, y resintonizar la gatera como se indica a continuación:

4.2.1 Coloque el marco exterior en la posición deseada de la puerta. Recomendamos que la parte inferior de la apertura se sitúe a 150mm aproximadamente del nivel del suelo (Fig. 6a). Si tiene que instalar a mayor altura, considere la colocación de un escalón para facilitar la entrada de su gato.

4.2.2 Dibuje alrededor del EXTERIOR del marco (Fig. 6a). Utilizando una sierra de vaivén eléctrica, corte 12mm por DENTRO de la línea dibujada (Fig. 6b).

4.2.3 Determine el grosor del panel de la puerta (t) (Fig. 7).

4.2.4 Coloque el marco interior en la parte interior de la puerta y atornille el marco exterior a éste utilizando tornillos apropiados para el grosor del panel, (t), como se muestra en la Fig. 9. Si fuera necesario, corte los tornillos provistos a la longitud requerida. **NO APRIETE LOS TORNILLOS EN EXCESO**, ya que esto podría impedir que la hoja se cerrase apropiadamente; utilice un destornillador de mano. Finalmente, coloque tapones en los dos tornillos.

4.2.5 Retire las pilas durante 2 minutos como mínimo después de la instalación. Esto permitirá que la gatera se resintonice por sí misma a su nueva ubicación.

4.3 Paneles de cristal

4.3.1 Le recomendamos se dirija a un cristalero para que corte un orificio de 232mm de diámetro en la posición requerida; seguidamente, instale la gatera como se indica a continuación. Alternativamente, quizás prefiera cambiar el panel de cristal por un panel de plástico transparente, y proceder con la instalación siguiendo las instrucciones de 4.1.1 a 4.1.6.

Nota: No es posible cortar orificios en cristal doble o endurecido. Vd. deberá obtener un panel nuevo de su cristalero con el orificio ya cortado.

- 4.3.2 Determine el grosor del panel de la puerta, (t), (Fig. 7).
- 4.3.3 El burlete de espuma negro no es adecuado para la instalación en cristal y deberá desecharse. Si lo desea, el marco exterior podrá sellarse con el panel de cristal utilizando un obturador de silicona.
- 4.3.4 Coloque el marco interior en la parte interior de la puerta y atornille el marco exterior a éste utilizando tornillos apropiados para el grosor del panel, (t), como se muestra en la Fig. 9. Si fuera necesario, corte los tornillos provistos a la longitud requerida. **NO APRIETE LOS TORNILLOS EN EXCESO**, ya que esto podría impedir que la hoja se cerrase apropiadamente; utilice un destornillador de mano. Finalmente, coloque tapones en los dos tornillos.

4.4 Instalación en la pared

Si va a instalar la gatera en una pared, deberá adquirir guarnición para pared Cat Mate Elite. Necesitará 1 guarnición por cada 50mm de grosor de pared sobre 50mm.

- 4.4.1 Abra un agujero rectangular en la pared 205mm de alto por 180mm de ancho.
- 4.4.2 Quite la cubierta de la pila situada en el marco interior, empujándola hacia arriba como se indica (Fig. 2).
- 4.4.3 Quite la cubierta del marco interior destornillando 2 tornillos en la parte posterior del marco interior (Fig. 10). *(Nota: Estos tornillos pueden desecharse, ya que será imposible reutilizarlos)*. Seguidamente, destornille los 2 tornillos más externos situados debajo de la cubierta de las pilas, y retire el marco interior girándolo hacia abajo (Fig. 11).
- 4.4.4 Desmonte con cuidado las 2 abrazaderas de rosca con alicates (Fig. 12).
- 4.4.5 Instale el marco interior provisto del número requerido de guarniciones en la pared interior, fijándolo en posición con 2 tornillos adecuados, como se muestra en la Fig. 13. *(Nota: Deberá aplicar una arandela (no provista) debajo de la cabeza de los tornillos)*. Si fuera necesario, las guarniciones podrán encolarse en posición, aunque generalmente, una inserción manual firme es suficiente.
- 4.4.6 Reinstale la cubierta del marco interior colocando 2 tornillos debajo de la cubierta de la pila con cuidado de no atrapar hilos eléctricos. (Reinstale el mando de 4 direcciones para la Ref. Producto 307, utilizando un destornillador de mano.) Recoloque la cubierta de la pila.
- 4.4.7 Instale el marco exterior empleando los 2 tornillos de 25mm suministrados. Finalmente, coloque tapones sobre los dos tornillos.

5. Colocación del disco(s) de I.D. en su gato(s)

- 5.1 Si lo desea, anote los datos de su gato en la etiqueta del disco de I.D.; escriba en dicha etiqueta con bolígrafo y pegue la película transparente impermeable sobre ella.
- 5.2 **IMPORTANTE:** Acople el disco de I.D. directamente al collar (NO a un aro acoplado al collar) para mantenerlo lo más alto posible y paralelo a la gatera (como se muestra en la Fig. 14).
- Recomendamos el uso de un collar de tejido sin acoplamientos metálicos grandes (otros discos con el nombre, etc.).

6. Entrenamiento de su gato para utilizar la gatera (o si el gato ha perdido su disco de I.D.)

Puede que su gato necesite un poco de tiempo para acostumbrarse a su nueva gatera. Para ayudar a su gato a acostumbrarse a entrar y salir por la gatera, ésta podrá ajustarse al 'MODO ENTRENAMIENTO' pulsando y sujetando el botón 'PROG' y pulsando brevemente el botón '4 WAY' en un plazo de 3 segundos.

Después de 5 segundos, el cerrojo se abrirá y el botón 'PROG' deberá soltarse. El símbolo 'ENTRAR' y 'SALIR' continuará destellando.

Por favor, observe que en el 'MODO ENTRENAMIENTO' su gatera permitirá la entrada de otros animales.

Para salir del 'MODO ENTRENAMIENTO', pulse y sujete el botón 'PROG', y pulse brevemente el botón '4 WAY' en un plazo de 3 segundos. Después de 5 segundos, la gatera volverá a cerrarse con cerrojo y el botón 'PROG' deberá soltarse.

Para los gatos muy indecisos, mientras esté en el 'MODO ENTRENAMIENTO', utilice comida para animarlos a entrar y salir por la gatera.

NOTA: NO recomendamos dejar solos a los gatos, particularmente a los cachorros, cuando utilicen la gatera, hasta que Vd. se sienta satisfecho de que están completamente familiarizados con su operación.

Si su gato todavía tiene dificultad para usar la gatera después de usar éxito el 'MODO ENTRENAMIENTO', puede que desee desactivar el modo de alta seguridad temporalmente o permanentemente para permitir la entrada/salida más fácil de su gato (véase la Sección 13).

7. Visualización de la ubicación del gato

La pantalla LCD muestra directamente la ubicación de hasta tres gatos (1-3).



La última vez, el gato atravesó la gatera para entrar en casa.



La última vez, el gato atravesó la gatera para salir de casa.

Observe que esta visualización es simplemente una guía sobre la ubicación del gato(s). La gatera determina la ubicación del gato registrando su último movimiento a través de la gatera. Los resultados pueden ser engañosos si el gato tiene una ruta alternativa de entrada/salida de la casa; si el gato ha seguido a otro gato a través de la gatera; si el gato sólo acerca la nariz a la gatera, etc.

8. Para ver cuánto tiempo desde que el gato(s) utilizó la gatera por última vez

- 8.1 Para ver cuántas horas y minutos desde que los gatos 1, 2 o 3 utilizaron la gatera por última vez, pulse el botón '+'.
 8.2 La pantalla mostrará el símbolo correspondiente al 'GATO 1' y cuántas horas y minutos hace que el 'GATO 1' utilizó la hoja hasta un máximo de 99 horas.
 8.3 Pulse '+' otra vez para recibir la misma información sobre los Gatos 2 y 3.
 8.4 Pulse '+' por cuarta vez (o espere 20 segundos) para volver a la pantalla normal.

9. Opciones de acceso

Las opciones de acceso disponibles se muestran a continuación.



Entrar y Salir Su gato(s) podrá entrar y salir por la hoja.



Entrada Solamente Su gato(s) podrá entrar a través de la hoja, pero no podrá salir a través de la hoja



Salida Solamente El gato(s) puede salir por la gatera pero no puede entrar por la gatera



Cerrada El gato(s) no puede utilizar la gatera

Seleccione una opción de acceso de la siguiente manera:

- 9.1 Pulse y sujete el botón '4 WAY' durante 5 segundos hasta que destelle la pantalla.
 9.2 Pulse repetidamente el botón '4 WAY' para desplazarse a través de las opciones de acceso disponibles (Fig. 7), hasta que llegue a la deseada.
 9.3 Pulse el botón 'PROG' para guardar el ajuste.

9.4 Ajuste de las opciones de acceso INDIVIDUAL (2-9 gatos)

Si desea asignar una opción de acceso individual a cada uno de sus gatos, por ejemplo, mantener al Gato 1 'CERRADO' dentro, pero permitir al Gato 2 salir al 'EXTERIOR SOLO', proceda de la siguiente manera:

NOTA: Este ajuste no evitará que un gato que no tenga permitido salir, siga 'inmediatamente' a otro gato que tenga permitido salir.

- 9.4.1 Pulse y sujete el botón '4 WAY' durante 5 segundos hasta que destelle la pantalla.
- 9.4.2 Pulse repetidamente el botón '4 WAY' hasta que aparezca 'IND' en la pantalla LCD (③, Fig. 1).
- 9.4.3 Pulse el botón 'PROG' para guardar el ajuste.
- 9.4.4 Pulse repetidamente el botón '4 WAY' hasta obtener la opción de acceso requerida para el Gato 1.
- 9.4.5 Pulse el botón 'PROG' para guardar el ajuste.
- 9.4.6 Repita los puntos 9.4.4 y 9.4.5 anteriores para todos los gatos con disco de I.D. programado.

NOTA: Para visualizar en cualquier momento los ajustes individuales que haya realizado para su gato(s), pulse el botón '4 WAY' durante un segundo y suéltelo repetidamente.

9.5 Ajuste del control Tiempo/Reloj para TODOS los gatos

Si desea ajustar su gatera para asegurar que TODOS los gatos tengan una opción particular de acceso durante un período de tiempo seleccionado, por ejemplo, para mantener a su gato dentro por la noche entre las 19.00 y las 06.00 horas, primero deberá decidir:

- a) Qué ajuste de cerrojo se deberá aplicar DURANTE el período cronometrado (en el ejemplo anterior se aplicará 'INTERIOR SOLO'). Fuera del período cronometrado, se aplicará el ajuste de cerrojo realizado en los puntos 9.1 a 9.3.
- b) Cuándo deberá comenzar ('START') el período cronometrado (en el ejemplo anterior, a las 19.00 horas).
- c) Cuándo deberá concluir ('FINISH') el período cronometrado (en el ejemplo anterior, a las 06.00 horas).
- d) También deberá saber la hora actual.

Proceda de la siguiente manera:

NOTA: Si no pulsa ningún botón durante más de 60 segundos, la pantalla volverá a su estado normal y Vd. deberá comenzar de nuevo.

- 9.5.1 Pulse el botón 'TIMER' durante 5 segundos hasta que destelle el indicador de la función de Tiempo.
- 9.5.2 Pulse el botón '4 WAY' repetidamente para seleccionar las opciones de acceso requeridas entre: 'ENTRAR Y SALIR', 'INTERIOR SOLO', 'EXTERIOR SOLO', 'CERRADO' u 'OFF'.
- 9.5.3 Pulse el botón 'PROG' para guardar el ajuste.
- 9.5.4 La pantalla mostrará el tiempo con el símbolo de los minutos destellando. Pulse el botón '+' repetidamente hasta que aparezca el ajuste actual de minutos (es decir, 10 si la hora actual es 12.10).
- 9.5.5 Pulse el botón 'PROG' para guardar el ajuste.
- 9.5.6 Ahora, la pantalla mostrará el tiempo con el símbolo de la hora destellando. Si desea cambiar entre un reloj de 24 horas y el ajuste AM/PM (mañana/tarde), pulse el botón 'TIMER'.
- 9.5.7 Pulse el botón '+' repetidamente hasta que aparezca el ajuste correcto de hora (p. ej., 12 si la hora actual es 12.10).

9.5.8 Pulse el botón 'PROG' para guardar el ajuste.

9.5.9 La pantalla mostrará la palabra 'START' y los minutos destellarán. Pulse el botón '+' hasta visualizar el ajuste deseado de minutos (en el ejemplo anterior '00'). Pulse el botón 'PROG' para guardar el ajuste.

9.5.10 Seguidamente, ajuste las horas de la misma forma (en el ejemplo anterior 19.00).

9.5.11 La pantalla mostrará la hora de finalización ('FINISH'). Ajuste de la misma forma que la hora inicial ('START'). Acuérdesse de pulsar el botón 'PROG' para guardar el ajuste.

Cuando esté ajustado el Tiempo, el indicador (⑥, Fig. 1) de función del Tiempo se mostrará en la pantalla.

Al estar activo el cerrojo cronometrado, el símbolo de la opción de acceso elegida en 9.2 destellará lentamente.

Para comprobar los ajustes de hora, pulse brevemente el botón 'TIMER' y suelte. La pantalla mostrará la opción de acceso cronometrada que se haya seleccionado y la hora de inicio ('START'). Pulse el botón 'TIMER' otra vez para ver la hora de finalización ('FINISH'). La pantalla volverá al tiempo actual después de 5 segundos.

Para cancelar el control por cronómetro y volver a la opción normal de acceso:

- 9.5.12 Pulse el botón 'TIMER' durante 5 segundos.
- 9.5.13 Pulse el botón '4 WAY' y retroceda a través de las opciones hasta llegar a 'OFF'.
- 9.5.14 Pulse el botón 'PROG' 3 veces para mantener las horas de reloj actuales y volver a la pantalla normal.

10. Cambio de las pilas

Cuando se encienda el 'INDICADOR DE PILA' (④, Fig. 1), deberán cambiarse las pilas alcalinas. (Véase la Sección 2).

Por favor, observe que al instalar pilas nuevas:

- El 'INDICADOR DE PILA' podría permanecer encendido hasta 15 minutos.
- La gatera recordará todos los microchips y discos de I.D., ajustes de cerrojo y las horas de cierre, pero LA HORA ACTUAL DEBERÁ REAJUSTARSE (véase la Sección 9.4).

11. Reprogramación de un disco de I.D

- 11.1 Pulse el botón 'PROG' durante 5 segundos; el siguiente número de Gato sin usar destellará intermitentemente y circularán unas líneas alrededor de los primeros 'DOS CEROS'.
- 11.2 Pulse el botón '+' para seleccionar el número de Gato apropiado que desee reprogramar, o seleccione el siguiente número de Gato disponible. (Una letra 'P' junto al número de Gato indica que ya ha sido programado, aunque usted podrá reprogramar de la siguiente manera).
- 11.3 Coloque la parte delantera del disco de I.D. contra la gatera (Fig. 4).
- 11.4 Los 'DOS CEROS' giratorios desaparecerán y destellará 'Pr'.
- 11.5 Pulse el botón 'PROG' para guardar el ajuste.

Para añadir más gatos, hasta un máximo de 9, repita los pasos del 11.1 al 11.5.

12. Reajuste de fábrica

Para devolver la gatera al ajuste de fábrica, pulse y sujete el botón '+' durante 30 segundos, hasta que se muestren todos los símbolos en la pantalla LCD. Después de un período de autocombprobación, el símbolo de 'ENTRAR Y SALIR' será lo único visible en la pantalla LCD. Este procedimiento borrará todos los discos de I.D. y demás ajustes. Entonces necesitará reprogramar los discos de I.D. (véase la Sección 3).

13. Modo de alta seguridad

Esta gatera se suministra con un modo de alta seguridad activado ('Eon') para impedir la entrada de otros gatos o mapaches.

Si su gato todavía tiene dificultad para usar la gatera después de usar éxito el 'MODO ENTRENAMIENTO', puede que desee desactivar el modo de alta seguridad ('EOFF') temporalmente o permanentemente para permitir la entrada/salida más fácil de su gato.

Podrá desactivar el modo de alta seguridad de la siguiente manera:

13.1 Pulse y sujete el botón 'PROG' y, en un lapso de 3 segundos, pulse brevemente el botón '+'. Cuando la pantalla muestre 'Eon' (modo de alta seguridad activado), suelte el botón 'PROG'.

13.2 Podrá desplazarse entre 'Eon' y 'EOFF' pulsando el botón '4 WAY'. Pulse 'PROG' para guardar el ajuste.

14. Resolución de problemas

14.1 El gato no utiliza la gatera

Los gatos indecisos pueden tardar cierto tiempo en aprender a utilizar la gatera; incluso si ya han empleado otras gateras anteriormente.

- Primero, utilice el 'MODO ENTRENAMIENTO' (véase la Sección 6).
- Desactive el modo de alta seguridad para que su gato le resulte más fácil utilizar la gatera (véase la Sección 13).

14.2 La gatera no se abre en respuesta al disco de I.D. programado

- Si se instala en una puerta de UPVC/metál, asegúrese de que el tamaño del corte sea correcto (véase la Sección 4.2).
- Si se instala en una puerta de UPVC/metál, compruebe que la unidad se haya resintonizado retirando las pilas durante 2 minutos como mínimo.
- Compruebe que el cerrojo '4 WAY' esté programado para permitir el acceso en la dirección elegida (véase la Sección 9).
- Asegúrese de que no esté activado un cierre cronometrado (evidente si destella el ajuste de cerrojo '4 WAY'). Si fuera necesario, cancele el cierre cronometrado (véanse las Secciones de 9.5.12 a 9.5.14).
- Si la pantalla muestra 'IND', compruebe que el gato que busca acceso lo tiene permitido en la dirección buscada, pulsando el botón '4 WAY' durante 1 segundo y soltándolo repetidamente. Si fuera necesario, programe la opción de acceso individual de los gatos (véase la Sección 9.4).
- Podrían haberse activado el modo de alta seguridad (denotados por 'Eon' en la pantalla). No mueva la hoja hasta que 'Eon' desaparezca.
- Compruebe que las pilas estén orientadas correctamente (Fig. 3) y que no aparezca el símbolo de pila baja (④, Fig. 1).
- Compruebe que el disco de I.D. está acoplado correctamente al collar del gato (véase la Sección 5.2).
- Si fuera posible, intente la operación con otro disco de I.D. programado para descubrir si existe un fallo con un disco de I.D. particular.
- Compruebe que la gatera está montada a la altura correcta (véase la Sección 4).
- Si falla todo lo demás, saque las pilas y espere 5 minutos como mínimo. Vuelva a colocar las pilas y realice un 'REAJUSTE DE FÁBRICA' (véase la Sección 12).

14.3 La hoja no se ha cerrado por completo

- Compruebe que el marco de la gatera no se haya apretado en exceso con los 2 tornillos. Intente aflojar los tornillos ligeramente.
- En algunas ocasiones, esto se deberá a un evento inusual, en cuyo caso el sistema electrónico normalmente se autocorregirá en un plazo de 30 minutos. Si el problema continúa, extraiga las pilas durante 5 minutos antes de volver a colocarlas, esto restituirá la acción de cierre correcta.

14.4 Dificultad para configurar las funciones/tiempos requeridos

- Los botones deben pulsarse firmemente.
- No se olvide de pulsar el botón 'PROG' después de realizar cualquier cambio; esto guardará el cambio.

14.5 La pantalla se bloquea

- Extraiga las pilas durante 5 minutos, y vuelva a colocarlas.
- Si la pantalla permanece bloqueada, realice un 'REAJUSTE DE FÁBRICA' (véase la Sección 12).

14.6 La hoja no se cierra

- Compruebe que la gatera no esté en 'MODO ENTRENAMIENTO' (flechas de intermitencia lenta).
- Espere 30 minutos para que se autocorrija.

1. Introductie

Proficiat met de aankoop van de Cat Mate Elite I.D. Disc Kattendeur met Tijd klok Functionering.

LEES DEZE INSTRUCTIES VOORZICHTIG DOOR EN PROGRAMMEER DE KATTENDEUR VOORDAT U HEM INSTALLEERT.

Met de Cat Mate Elite I.D. Disc Kattendeur met Tijd klok Functionering kunt u controle afzonderlijke ingang en uitgang voor maximaal 9 katten. Indien nodig, een overheersende tijd klok functie kan controle de 4-voudige vergrendeling voor ALLE katten. Bovendien kunt u het gaan en komen van 3 individuele katten volgen doordat u kunt zien wanneer uw kat voor de laatste keer door de kattendeur naar binnen of naar buiten is gegaan, en hoelang dat geleden is.

Om er zeker van te zijn dat er niet gemakkelijk met de deur u gekozen instelling geknoeid kan worden, zijn de bedieningsknoppen zo gemaakt dat ze, om zoals gewenst te functioneren, stevig ingedrukt moeten worden.

Het systeem zal na 60 seconden op time out gaan, indien u op een bepaald moment wenst te stoppen met een willekeurige taak (behalve programmeren).

Nieuwe gegevens worden pas opgeslagen als u de 'PROG' knop indrukt.

2 Het plaatsen van de batterijen

2.1 Verwijder de batterijafdekplaat door hem omhoog te drukken (zie afb. 2) waardoor hij los komt.

2.2 Plaats 4 x AA (R6) Alkaline batterijen in de houder zoals aangegeven (afb. 3), door de twee buitenste batterijen er het eerst in te schuiven.

2.3 De kattendeur controleert de eerste 60 seconden en daarna zijn alleen de 'IN & OUT' pijltjes op het LCD scherm zichtbaar. De kattendeur kan nu geprogrammeerd worden.

U kunt alle gangbare batterijen gebruiken waaronder ook herlaadbare en lithium batterijen, maar het 'BATTERY INDICATOR' werkt het best met alkaline batterijen. Alkaline batterijen van goede kwaliteit zullen ongeveer 12 maanden meegaan (afhankelijk van het aantal katten en gebruik).

3. Programmering

De volgende stap is om de I.D. disc van elke kat te programmeren.

NB: De sequentie van het programma is tijdgevoelig en de LCD laat het standaard display zien wanneer niet iedere stap binnen een tijd van ongeveer 15 minuten is voltooid.

De kattendeur moet de I.D.disc van uw kat(ten) kunnen herkennen, u dient daarom als volgt te handelen:

3.1 Houd de knop met 'PROG' 5 seconden (Ⓛ, afb. 1) ingedrukt totdat de Zoekindicator (Ⓜ, afb. 1) brandt.

3.2 'CAT 1' en het nummer 1 gaan knippen en er verschijnen bewegende lijnen om de eerste 'TWO ZEROS' (twee nullen).

3.3 Houd de voorkant van de I.D. disc tegen de kattendeur (afb 4).

3.4 Na programmering, zullen de 'TWO ZEROS' verdwijnen en zal 'Pr1' knippen.

3.5 Druk de 'PROG' knop in om de instelling op te slaan.

Voor meer katten, totaal maximaal 9, herhaalt u de stappen 3.1 tot 3.5.

4. Montage Instructies

BELANGRIJK! - U MAG NIET IN DE TUNNEL OF DE KATTENDEUR ZAGEN.

4.1 Houten deuren 0-50mm dik

4.1.1 Plaats het buitenframe in de gewenste positie op de deur. Wij adviseren u de onderzijde van de opening op ongeveer 150mm boven de vloer te monteren (afb. 5a). Bij een hogere kattendeur is een trapje voor de kat misschien handig om gemakkelijker naar binnen te kunnen.

4.1.2 Trek een lijn om de opening (afb. 5a), zaag daarna op 5mm buiten de lijn met een elektrische figuurzaag (afb. 5b).

Werk nauwkeurig en zaag een opening uit die loodrecht op de deurrand staat, dit is vooral belangrijk voor dikkere deuren, Zorg dat het binnenframe goed in de opening past.

4.1.3 Bepaal de dikte van het deurpaneel (t) (afb. 7).

4.1.4 Houdt zowel buiten- als binnenframe op de gewenste plaats en markeer de 2 schroefgaten (afb. 8).

4.1.5 Verwijder de frames en boor schroefgaten in het paneel tot 6mm diameter.

4.1.6 Plaats het binnenframe aan de binnenzijde van de deur en bevestig het buitenframe erop met schroeven die geschikt zijn voor de betreffende paneeldikte (t) zoals afgebeeld in afb. 9. Indien nodig kunt u de schroeven op de gewenste lengte afzagen. Breng vervolgens de 2 schroefdopjes aan.

4.2 UPVC- / metalen deuren 0-50mm dik

Deuren voorzien van metalen panelen kunnen het bereik van de lezer van de microchip verminderen. Bij metalen panelen kunt u een proefje doen door een klein gaatje te boren in het midden van de plek waar de kattendeur moet komen.

Voor UPVC- / metalen deuren is het essentieel om een grotere opening te zagen dan voor houten deuren, en de kattendeur er als hieronder beschreven op af te stemmen:

4.2.1 Plaats het buitenframe in de gewenste positie op de deur. Wij adviseren u de onderzijde van de opening op ongeveer 150mm boven de vloer te monteren (afb. 6a). Bij een hogere kattendeur is een trapje voor de kat misschien handig om gemakkelijker naar binnen te kunnen.

4.2.2 Trek een lijn om de BUITENKANT van het frame (afb. 6a). Zaag met een elektrische figuurzaag op 12mm BINNEN de lijn (afb. 6b).

4.2.3 Bepaal de dikte van het deurpaneel (t) (afb. 7).

4.2.4 Plaats het binnenframe aan de binnenzijde van de deur en bevestig het buitenframe erop met schroeven die geschikt zijn voor de betreffende paneeldikte (t) zoals afgebeeld in afb. 9. Indien nodig kunt u de schroeven op de gewenste lengte afzagen. DRAAI DE SCHROEVEN NIET TE VAST AAN, aangezien de kattendeur hierdoor wellicht niet goed sluit. Gebruik een handschroevendraaier. Breng vervolgens de 2 schroefdopjes aan.

4.2.5 Verwijder de batterijen minimaal 2 minuten na installatie. De kattendeur kan zich dan afstemmen op de nieuwe locatie.

4.3 Glaspanelen

4.3.1 Wij raden u aan een glasbedrijf te vragen een opening met een diameter van 232mm op de gewenste plaats uit te zagen en vervolgens de kattendeur te monteren zoals hieronder aangegeven. U kunt ook besluiten het glaspaneel te vervangen door plastic en de kattendeur te monteren volgens instructies 4.1.1 tot 4.1.6.

NB: Het is niet mogelijk is een opening uit te zagen in dubbel of versterkt glas, in dag geval hebt u een nieuw paneel nodig waarin het glasbedrijf al een opening heeft uitgesneden.

- 4.3.2 Bepaal de dikte van het deurpaneel (t). (afb. 7).
- 4.3.3 De zwarte foamstrip in het binnenframe is ongeschikt voor montage in glas en dient verwijderd te worden. Indien gewent kan het binnenframe afgedicht worden met een siliconen product.
- 4.3.4 Plaats het binnenframe aan de binnenzijde van de deur en bevestig het buitenframe erop met schroeven die geschikt zijn voor de betreffende paneeldikte (t) zoals afgebeeld in afb. 9. Indien nodig kunt u de schroeven op de gewenste lengte afzagen. DRAAI DE SCHROEVEN NIET TE VAST AAN, aangezien de kattendeur hierdoor wellicht niet goed sluit. Gebruik een handschroevendraaier. Breng vervolgens de 2 schroefdopjes aan.

4.4 Montage in een muur

Als u een kattendeur in een wand plaatst, dient u Cat Mate Elite Wall Liners aan te schaffen. U heeft één wall liner nodig voor elke 50mm wanddikte over 50mm.

- 4.4.1 Maak in de muur een rechthoekige opening van 205mm hoog bij 180mm breed.
- 4.4.2 Verwijder de binnenframe batterijafdekplaat door hem omhoog te drukken zoals aangegeven (afb. 2).
- 4.4.3 Verwijder de binnenframe afdekplaat door de 2 schroeven in de achterzijde van het binnenframe los te draaien (afb. 10). (NB: u kunt deze schroeven weggooien omdat ze hierna nergens meer passen). Verwijder vervolgens de buitenste 2 schroeven onder het batterijdeksel en verwijder het binnenframe door het naar beneden te draaien (afb. 11).
- 4.4.4 Verwijder met behulp van een tangetje voorzichtig de 2 schroeven (afb. 12).
- 4.4.5 Bevestig het gemonteerde binnenframe met het vereiste aantal tegenmuurpanelen met gebruik van de 2 passende schroeven aan de binnenmuur zoals aangegeven in afb. 13. (NB: u hebt een leertje (niet bijgeleverd) onder de kop van de schroef nodig). Indien gewenst kunt u de tegenmuurpanelen vastlijmen, alhoewel stevig aandrukken gewoonlijk voldoende is om ze op goed bevestigd te houden.
- 4.4.6 Monteer de binnenframe afdekplaat met 2 schroeven onder de batterijafdekplaat waarbij u er goed op let de elektrische bedrading niet te raken. Monteer de batterijafdekplaat
- 4.4.7 Monteer het buitenframe met de 2 schroeven van 25mm die bijgeleverd zijn en breng ten slotte de 2 schroefdopjes aan.

5. Het bevestigen van de I.D. disc(s) aan uw kat(ten)

- 5.1 Als u dat wenst kunt u de gegevens van uw kat op de label van de I.D. disc aanbrengen door ze met pen op de label te noteren en af te dekken met de doorzichtige waterproof sticker.
- 5.2 BELANGRIJK! Bevestig de I.D. disc direct aan het halsbandje, NIET aan een ringetje dat aan het halsbandje hangt, zodat de disc zo hoog mogelijk en parallel aan de kattendeur hangt (zie afb. 14).

Wij adviseren een halsbandje van textiel waaraan niets anders en zeker niets van metaal hangt (bij voorbeeld een naamplaatje).

6. Uw kat leren de kattendeur te gebruiken (of als uw kat zijn I.D. disc heeft verloren)

Het kan enige tijd duren voor uw kat gewend raakt aan de nieuwe kattendeur. Om uw kat te laten wennen aan het gebruik van de kattendeur, kan de kattendeur ingesteld worden op 'TRAINING MODE' (oefenstand) door de knop met 'PROG' ingedrukt te houden en binnen 3 seconden even op de knop met '4 WAY' te drukken.

Na 5 sec. is de vergrendeling ontsloten en kan de 'PROG' knop losgelaten worden. Het 'IN & OUT' symbool blijft knipperen.

Bedenk wel dat de kattendeur in 'TRAINING MODE' ook andere dieren kan binnen laten.

Om de 'TRAINING MODE' te verlaten, drukt u de 'PROG' knop in. Houdt de knop ingedrukt, druk binnen 3 sec. kort op de '4 WAY' knop. Na 5 sec. is het kattenluik weer vergrendeld en kan de 'PROG' knop losgelaten worden.

Voor zeer schuwe katten kunt u in de 'TRAINING MODE' voedsel gebruiken om de kat aan te moedigen door de kattendeur naar binnen en buiten te gaan.

NB: het is niet verstandig om katten en met name jonge katten alleen te laten bij gebruik van een nieuwe kattendeur zolang u er niet van overtuigd bent dat ze ermee vertrouwd zijn.

Als uw kat nog steeds moeite heeft met het gebruik van de kattendeur nadat u de 'TRAINING MODE' succesvol hebt gebruikt, kunt u uitschakelen de hoog beveiligingsmodus tijdelijk of permanent om inschakelen gemakkelijker ingang/uitgang voor uw kat (zie sectie 13).

7. Zien waar uw kat zich bevindt

Het LCD Scherm laat u in een oogopslag zien waar maximaal 3 katten zich bevinden (1-3).



De kat die het laatst door de kattendeur gegaan is, het huis in.



De kat die het laatst door de kattendeur gegaan is, het huis uit.

NB: het LCD scherm geeft slechts bij benadering aan waar de kat zich bevindt. De kattendeur bepaalt de locatie van uw kat doordat de laatste activiteit van de kattendeur wordt weergegeven. De resultaten kunnen misleidend zijn met name als een kat een alternatieve manier om het huis in of uit te gaan heeft, of als de ene kat de andere kat kort opgevolgd heeft bij het gebruiken van de kattendeur, of als de kat maar net zijn neus door de kattendeur heeft gestoken, enz.

8. Om te zien hoe lang het is sinds de kat(ten) de kattendeur het laatst heeft gebruikt

- 8.1 Om te zien hoeveel uren en minuten het is sinds katten, 1, 2 of 3 het laatst de kattendeur hebben gebruikt, druk de '+' knop.
- 8.2 Op de display ziet u het symbool voor 'CAT 1' en hoeveel uren en minuten het is (tot 99 uren) sinds 'CAT 1' de kattendeur heeft gebruikt.
- 8.3 Druk opnieuw op de '+' knop om dezelfde informatie te verkrijgen over kat 2 and 3.
- 8.4 Druk een vierde keer op de '+' knop (of doe 20 seconden lang niets) om het gewone scherm weer te laten verschijnen.

9. Toegangsmogelijkheden

De toegangsmogelijkheden zijn hieronder aangegeven.



In en Uit

Uw kat(ten) kan/kunnen door de kattendeur naar binnen en naar buiten



Alleen toegang

Uw kat(ten) kan/kunnen door de kattendeur naar binnen maar niet naar buitengaan



Alleen uitgang

Kat(ten) kunnen door de kattendeur wel naar buiten maar niet naar binnen



Gesloten

Kat(ten) kunnen door de kattendeur niet gebruiken

Selecteer als volgt een toegangsoptie:

- 9.1 Houd de '4 WAY' knop 5 seconden ingedrukt tot de display knippert.
- 9.2 Druk de '4 WAY' knop een aantal maal in om de beschikbare toegangsmogelijkheden te zien, tot u de door u gewenste mogelijkheid gevonden hebt.
- 9.3 Druk de 'PROG' knop in om de instelling op te slaan.

9.4 Instelling van INDIVIDUELE toegangsmogelijkheden (2-9 katten)

Om de gewenste toegangsmogelijkheid voor iedere kat in te stellen, bij voorbeeld om Cat 1 'LOCKED' in huis te houden, maar Cat 2 'OUT ONLY', gaat u als volgt te werk:

NB: deze instelling verhindert niet dat een kat die niet naar buiten mag, een andere kat die dat wel mag, dicht te volgen.

9.4.1 Druk de 4 WAY' knop 5 seconden lang in totdat het display scherm knippert.

9.4.2 Druk de 4 WAY' knop een aantal maal in tot 'IND' op het LCD scherm verschijnt (3, afb. 3).

9.4.3 Druk de 'PROG' knop in om de instelling op te slaan.

9.4.4 Druk de 4 WAY' knop een aantal maal in tot de door u gewenste toegangsmogelijke voor CAT 1.

9.4.5 Druk de 'PROG' knop in om de instelling op te slaan.

9.4.6 Herhaal de stappen 9.4.4 en 9.4.5 tot al uw katten een geprogrammeerde I.D. disc hebben.

NB: de geselecteerde individuele mogelijkheden kunt u op elk moment controleren door de '4 WAY' knop herhaaldelijk 1 seconde in te drukken.

9.5 Instellen van de Timer Control / Tijdsdruk voor AL uw katten

Als u uw kattendeur zo wenst in te stellen dat AL uw katten een specifieke toegangsmogelijkheid hebben gedurende een bepaalde korte periode, tussen 19:00 and 06:00 bij voorbeeld om uw katten nachts binnen te houden, dient u eerst bepalen:

- Welke vergrendeling u TIJDENS die bepaalde korte periode wilt instellen (in het gekozen voorbeeld hierboven is dat 'IN ONLY'). Buiten de gelimede periode is de vergrendelingsinstelling die in 9.1 tot 9.3 is aangebracht van toepassing.
- De 'START' tijd van de geselecteerde periode (in bovenstaand voorbeeld om 19.00 uur).
- De 'FINISH' tijd van de geselecteerde periode (in bovenstaand voorbeeld om 06.00 uur).
- U dient ook de actuele tijd nu te weten.

Ga als volgt te werk:

NB: als u een knop korter dan 60 seconden indrukt, gaat de display terug naar normaal en moet u opnieuw beginnen.

9.5.1 Houd de knop met 'TIMER' 5 seconden ingedrukt totdat het functielampje knippert.

9.5.2 Druk de '4 WAY' knop herhaaldelijk in om de gewenste mogelijkheid te kiezen uit: 'IN & OUT', 'IN ONLY', 'OUT ONLY', 'LOCKED' of 'OFF'.

9.5.3 Druk op de 'PROG' knop om de nieuwe instelling te bewaren.

9.5.4 Het scherm laat de tijd zien waarbij het minuten-symbool knippert. Druk op de '+' knop herhaaldelijk totdat de actuele minutenstand te zien is (bij voorbeeld 10 als de actuele tijd 12.10 is).

9.5.5 Druk op de 'PROG' knop om de instelling op te slaan.

9.5.6 Het scherm laat nu de tijd zien waarbij het uur-symbool knippert.

Als u wilt omschakelen tussen een 24-uurs tijd klok en een AM/PM instelling, druk dan op de knop met 'TIMER'.

9.5.7 Druk op de '+' knop totdat herhaaldelijk het actuele uur te zien is (bij voorbeeld 12 als de actuele tijd 12.10 is).

9.5.8 Druk op de 'PROG' knop om de instelling op te slaan.

9.5.9 Het scherm laat het woord 'START' zien waarbij de minuten knipperen. Druk de '+' button in totdat u de gewenste minuten-stand ziet (in bovenstaand voorbeeld '00'). Druk op de 'PROG' knop om de instelling op te slaan.

9.5.10 U stelt vervolgens het gewenste uur op dezelfde manier in (in bovenstaand voorbeeld 19:00).

9.5.11 Het display scherm laat nu de 'FINISH' tijd zien. Stel die in op dezelfde manier als de 'START' tijd. Druk de 'PROG' knop in om de instelling op te slaan.

Als de tijd klok is ingesteld, is het functielampje (6, afb. 1) van de tijd klok op de display zichtbaar.

Als de tijdvergrendeling geactiveerd is, zal de keuzemogelijkheid die in stap 9.2. geselecteerd is, langzaam knipperen.

Ter controle van de tijdstellingen drukt u even op de knop met 'TIMER' en laat weer los. Het scherm laat de geselecteerde mogelijkheid en de 'START' tijd zien. Druk vervolgens de 'TIMER' knop opnieuw in om de 'FINISH' tijd te zien. Het LCD scherm geeft na 5 seconden de huidige tijd aan.

Uitschakelen van de tijdsregeling en de gewone toegangsregeling herstellen:

9.5.12 Druk de 'TIMER' knop 5 seconden in.

9.5.13 Druk de '4 WAY' knop in ga terug door de keuzemogelijkheden totdat u 'OFF' ziet.

9.5.14 Druk 3 keer op de knop met 'PROG' om de huidige tijd aan te houden en terug te gaan naar de gebruikelijke display.

10. Vervangen van batterijen

Als 'BATTERY INDICATOR' gaat branden (4, afb. 1), moeten de alkaline batterijen vervangen worden (zie sectie 2).

Let wel dat na de plaatsing van nieuwe batterijen:

• 'BATTERY INDICATOR' tot 15 minuten kan blijven branden.

• De kattendeur herinnert zich alle microchips en I.D. Discs, slotinstellingen en vergrendelingsstijden, maar de HUIDIGE TIJD MOET OPNIEUW WORDEN INGESTELD (zie sectie 9.4).

11. Herprogrammering van een I.D. Disc.

11.1 Houd de knop met 'PROG' 5 seconden ingedrukt, waarna het volgende nog niet gebruikte kattennummer gaat knipperen met bewegende lijntjes om de eerste 'TWO ZEROS'.

11.2 Druk op de '+' knop om het juiste katnummer dat u wilt herprogrammeren te selecteren, of selecteer het volgende beschikbare katnummer. (Een 'P' naast het kattennummer geeft aan dat het al geprogrammeerd is, hoewel u als volgt kunt herprogrammeren).

11.3 Houd de voorkant van de I.D. disc tegen de kattendeur (afb. 4).

11.4 De draaiende 'TWO ZEROS' verdwijnen en 'Pr' knippert.

11.5 Druk de 'SET' knop in om de instelling op te slaan.

Voor meer katten, totaal maximaal 9, herhaalt u de stappen 11.1 tot 11.5.

12. Fabriekinstellingen terug zetten

Om de kattendeur de instelling te geven die hij bij aankoop had, houdt u de '+' knop ongeveer 30 seconden ingedrukt totdat alle symbolen op het LCD scherm verschijnen. Het apparaat voert even controle uit en daarna is alleen het 'IN & OUT' symbool op het LCD scherm zichtbaar Met deze procedure worden alle instellingen van I.D. disc(s) en overige gewist. Daarna moet u de I.D. disc(s) herprogrammeren (zie sectie 3).

13. Beveiligingsmodus

Deze kattendeur is voorzien van een hoog beveiligingsmodus dat ingeschakeld ('Eon') is om ongewenste toegang van andere katten of wasberen te voorkomen.

Als uw kat nog steeds moeite heeft met het gebruik van de kattendeur nadat u de 'TRAINING MODE' succesvol hebt gebruikt, kunt u uitschakelen de hoog beveiligingsmodus ('EOFF') tijdelijk of permanent om inschakelen gemakkelijker ingang/uitgang voor uw kat.

U kunt de hoog beveiligingsmodus als volgt uitschakelen:

- 13.1 Druk op 'PROG' knop en houdt ingedrukt en druk dan binnen 3 seconden kort op de '4' knop. Laat de 'PROG' knop los zodra de display 'Eon' (hoog beveiligingsmodus ingeschakeld) laat zien.
- 13.2 U kunt tussen 'Eon' en 'EOFF' overschakelen door de '4 WAY' knop in te drukken. Druk op 'PROG' om de instelling op te slaan.

14. Troubleshooting

- 14.1 De kat wil de kattendeur niet gebruiken.

Verlegen katten hebben misschien meer tijd nodig om de kattendeur te leren gebruiken - zelfs al hebben ze eerder een andere kattendeur gebruikt.

- Probeer de methode 'Uw kat de kattendeur leren gebruiken' (zie sectie 6) nog eens.
- Uitschakelen de hoog beveiligingsmodus uit, zodat uw kat het gemakkelijker vindt om de kattendeur gebruiken (zie sectie 13).

- 14.2 De kattendeur reageert niet op de geprogrammeerde I.D. disc en gaat niet open

- Als de kattendeur in een UPVC- / metalen deur is aangebracht, zorg er dan voor dat de juiste opening in de deur is gezaagd (zie sectie 4.2).
- Als de kattendeur in een UPVC- / metalen deur is aangebracht, controleer dan dat de kattendeur opnieuw is afgestemd door de batterijen minimaal 2 minuten te verwijderen.
- Controleer of de 4-voudige vergrendeling zo is afgesteld dat toegang in de gewenste richting mogelijk is (zie sectie 9).
- Zorg dat een geprogrammeerd slot niet wordt geactiveerd (zichtbaar aan knipperend '4 WAY' instelling van slot). Indien nodig kan het tijdslot uitgeschakeld worden (zie sectie 9.5.12 tot 9.5.14).
- Controleer, in geval het LCD scherm 'IND' aangeeft, of de kat die door de kattendeur naar binnen of naar buiten wil, dat ook werkelijk kan door de programmering te controleren; u drukt de '4 WAY' knop een seconde regelmatig in. U kunt ook de individuele toegangsmogelijkheden van de betreffende kat veranderen (zie sectie 9.4).
- Het beveiligingsmodus is misschien geactiveerd (aangegeven met 'Eon' op de display). Houdt de luikje stil totdat 'Eon' verdwenen is.
- Controleer of de batterijen goed in de houder zitten (afb. 3), en het symbool dat aangeeft dat de batterijen bijna leeg zijn ((4), afb. 1).
- Controleer of de I.D. disc goed aan het halsbandje van de kat bevestigd is (zie sectie 5.2).
- Kijk zo mogelijk of hij werkt met een andere geprogrammeerde I.D. disc om te zien of er een probleem is met een bepaalde I.D. disc.
- Controleer of de kattendeur op de goede hoogte is gemonteerd (zie sectie 4).
- Indien het probleem nog steeds niet verholpen is, verwijdert u de batterijen en wacht vervolgens minstens 5 minuten. Plaats de batterijen weer in de houder en herhaal de handeling 'Fabrieksinstellingen terug zetten' (zie sectie 12).

- 14.3 De kattendeur sluit niet goed

- Controleer dat het frame van de kattendeur niet te stevig met de 2 schroeven is aangedraaid. Draai de schroeven een beetje losser.
- Dit kan heel af ten toe gebeuren door een bijzonder voorval, en normaliter herstelt de elektronica zich binnen 30 minuten. Als het probleem aanhoudt, verwijdert u de batterijen en wacht 5 minuten voor u ze terugzet, daarmee zal de juiste vergrendeling zich weer instellen.

- 14.4 Problemen bij de instelling van gewenste functies / tijden

- De knoppen dienen stevig ingedrukt te worden.
- Druk na elke verandering van een setting altijd op de 'PROG' knop zodat de nieuwe setting opgeslagen wordt.

- 14.5 Het display scherm bevriest

- Verwijder de batterijen een minuut of 5, daarna zet u ze weer inde houder.
- Als het scherm bevroren blijft, herhaalt u de handeling 'Weer instellen van fabrieksgegevens' (zie sectie 12).

- 14.6 Kattendeur sluit niet

- Controleer of de kattendeur niet in 'TRAINING MODE' staat (langzaam knipperende pijlen).
- Wacht 30 minuten voor zelfcorrectie.