

5000 G-BIO 1000 G-BIO

INSTRUCTIONS · IMPORTANT - READ BEFORE USE

1. SETTING UP THE FILTER

A. Choose a suitable site for your new filter where:

- The area chosen is flat and level.
- The filter can be maintained.
- Water supply hose can be run from your water pump.
- If the site is by the edge of the water, check that the outlets (A/B) are over the pond or start of the waterfall.
- If the site is away from the edge of the water, check that all sections of the outlet pipes will run downhill to the pond or start of waterfall. (See Fig. 2).
- The filter outlets (A/B) are not feeding back close to the pump inlet.
- If the filter overflows or leaks the water will not cause an electrical or other danger.

B. Plumb in to the filter:

- Choose a suitable size hose to run from your pump to the filter. The water inlet (C) will accept 25mm (1") or 19mm (3/4") hoses. Other sized hoses may be connected with a suitable adapter, available from most good pond equipment suppliers.
- Run the hose from the pump to the filter and fix with hose clips.
- If the filter is by the edge of the water:
Place the outlets over the edge of the pond.
 - If the filter is away from the edge of the water:
Connect 32mm (1 1/4") bore flexible hose to the outlets (A/B) and secure with suitable hose clips.

Note: All parts of the outlet hoses must run downhill - if any section runs uphill the outlet will not work. (See Fig. 2).
Fix the free ends of the hoses above or below the water level.
- To plumb two filters in parallel use a balancing valve (D) if necessary. (See Fig. 3).

C. Check the water flow:

- Unpack the FISH MATE SUPRA+ filter medium (I). Then rinse in a bucket of pond water before placing evenly into the bio chamber as shown in Fig. 5. Position the foam (J) on top of the SUPRA+ filter medium (I) with the flat side facing down.
- With the water running, set up the filter so that the water level in the settlement chamber (F) is parallel to the top of the filter base (G).
- The flow through the filter should be approximately 50% of your pond volume every hour. e.g. For a 5000 litre (1000 gallon) pond, you will need a flow of around 2500L/h (500 GPH). The flow gauge (Fig. 4) gives an approximate indication of flow. The maximum flow for this filter is 2500L/h (500 GPH).

2. OPERATION

Replace the filter lid (K) and the filter is now ready to run. The filter should be run 24 hours a day through the year except when there is a risk of the water freezing. The water quality should start to noticeably improve in 2 to 3 months.

3. MAINTENANCE

A. Foam

When the foam (J) appears clogged, clean as follows:

- Turn off the power to pump.
- Lift off the lid (K) and remove the foam (J).
- Clean by squeezing in a bucket of pond water. This will preserve beneficial bacteria.
- Replace the foam (J) with the flat side face down as shown in Fig. 1 and replace the lid (K).
- Turn on the power to the pump.
- Check that the water is not overflowing from the filter.
- The performance of the foam will deteriorate over time and we recommend annual replacement. Replacement foam is available from your dealer or direct from Pet Mate.

B. Bio filter medium SUPRA+

The performance of the SUPRA+ will slowly deteriorate over time and we recommend 50% should be replaced with new FISH MATE SUPRA+ every year.

The bio filter medium should only be cleaned if heavily silted, as follows:

- Turn off the power to pump.
- Remove lid (K), foam (J) and SUPRA+ (I). Rinse in a bucket of pond water.

Note the SUPRA+ should never be cleaned in tap water as the beneficial bacteria will be killed.
- Replace the SUPRA+ (I) in the bio chamber and put the foam (J) on top with the flat side face down as shown in Fig. 1. Replace lid (K).
- Turn on the power to the pump
- Check that the water is not overflowing from the filter.

C. Filter Brush

The Filter brush (L) and settlement chamber (F) should only need cleaning every 1-3 months. In some circumstances however, the chamber may need cleaning more often as follows:

- Turn off the power to pump.
- Remove lid (K).
- Remove the filter brush (L) and rinse in a bucket of pond water. Note the brush should never be cleaned in tap water as the beneficial bacteria will be killed.
- Clean out the settlement chamber and replace brush (L).
- Replace the lid (K).
- Turn on the power to the pump.
- Check that the water is not overflowing from the filter.

4. TROUBLE SHOOTING

A. Water quality doesn't improve.

▼ The water quality should start to improve in 2 to 3 months. For the pond to come into full balance may take longer. If the pond water is badly polluted a water change is recommended to reduce the filter loading.

▼ Water may stay green due to algae and a UV Filter will be needed to obtain clear water. We recommend the use of our FISH MATE UV+BIO FILTER.

▼ Check that you have selected the correct size filter for your pond.

▼ Check the correct size pump is being used. (Section 1.C.)

Maximum Flowrate per Filter = 2500 L/h (500 GPH).

▼ Check that the filter outlets are not near the pump inlet.

▼ Check that the filter is being run 24 hours a day through the year except when there is a risk of the water freezing.

▼ Do not use a lawn or pond plant fertiliser.

▼ Do not feed your fish more food than they can consume in 2-3 minutes as decomposing food poisons water. We recommend the use of our FISH MATE automatic fish feeders - specially designed for slow, safe feeding of fish.

B. Filter overflowing

▼ Check that the outlets are not blocked.

▼ Check that the foam (J) has not ridden over the retainer pins (M) in Fig. 5).

▼ Check the inlet flow has not changed by retesting the flow (Section 1C).

▼ Check if you are using outlet pipes that no section is uphill. See Fig. 2.

C. Brush (L) / Foam (J) clogging too quickly

▼ If your pond is badly polluted carry out a partial water change.

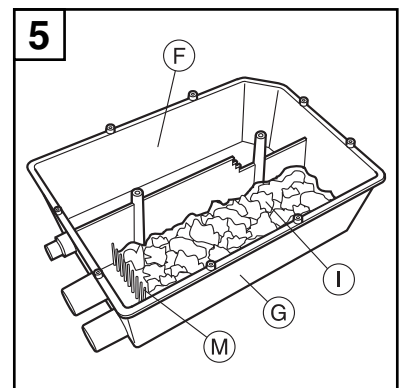
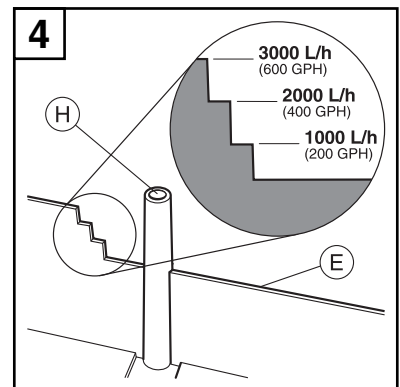
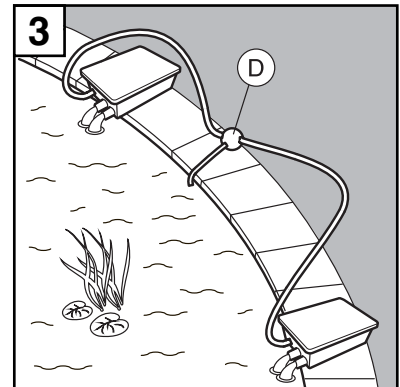
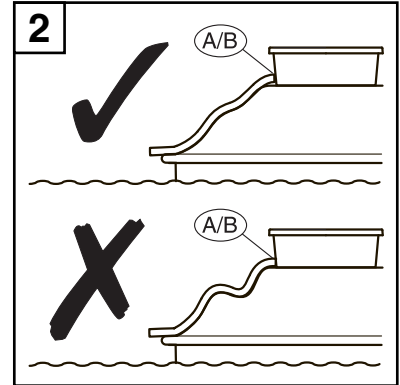
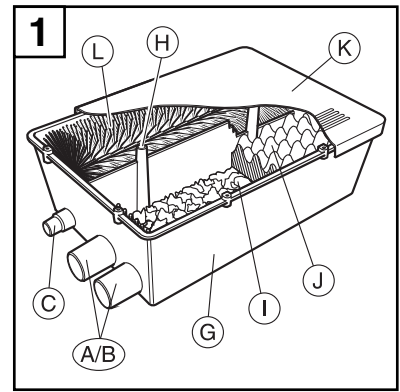
▼ Do not feed your fish more food than they can consume in 2-3 minutes. We recommend the use of our FISH MATE automatic fish feeders - specially designed for slow, safe feeding of fish.

D. Blanket weed

▼ The filter will not eliminate blanket weed.

▼ Increase planting in pond.

▼ If using lawn or pond plant fertiliser discontinue use.



Pet Mate Ltd. guarantees your product for a period of 3 years from the date of purchase, subject to the registration of your purchase details on our website www.pet-mate.com within 14 days of purchase. (If you do not have access to a computer, please send details of your purchase with copy of receipt along with your name and address.) In the event of a fault developing contact Pet Mate customer services for a returns authorisation number. The guarantee is limited to any defect arising due to faulty materials or manufacture. Any defective item will be repaired or replaced free of charge at the manufacturer's discretion, provided that the defect has not been caused by neglect, misuse or normal wear and tear. The guarantee excludes claims arising from frost, accidental damage or loss of fish. Your statutory rights are not affected.