

IMPORTANT SAFETY INSTRUCTIONS

WARNING - To guard against injury or death, basic safety precautions should be observed, including the following:

READ AND FOLLOW ALL SAFETY INSTRUCTIONS

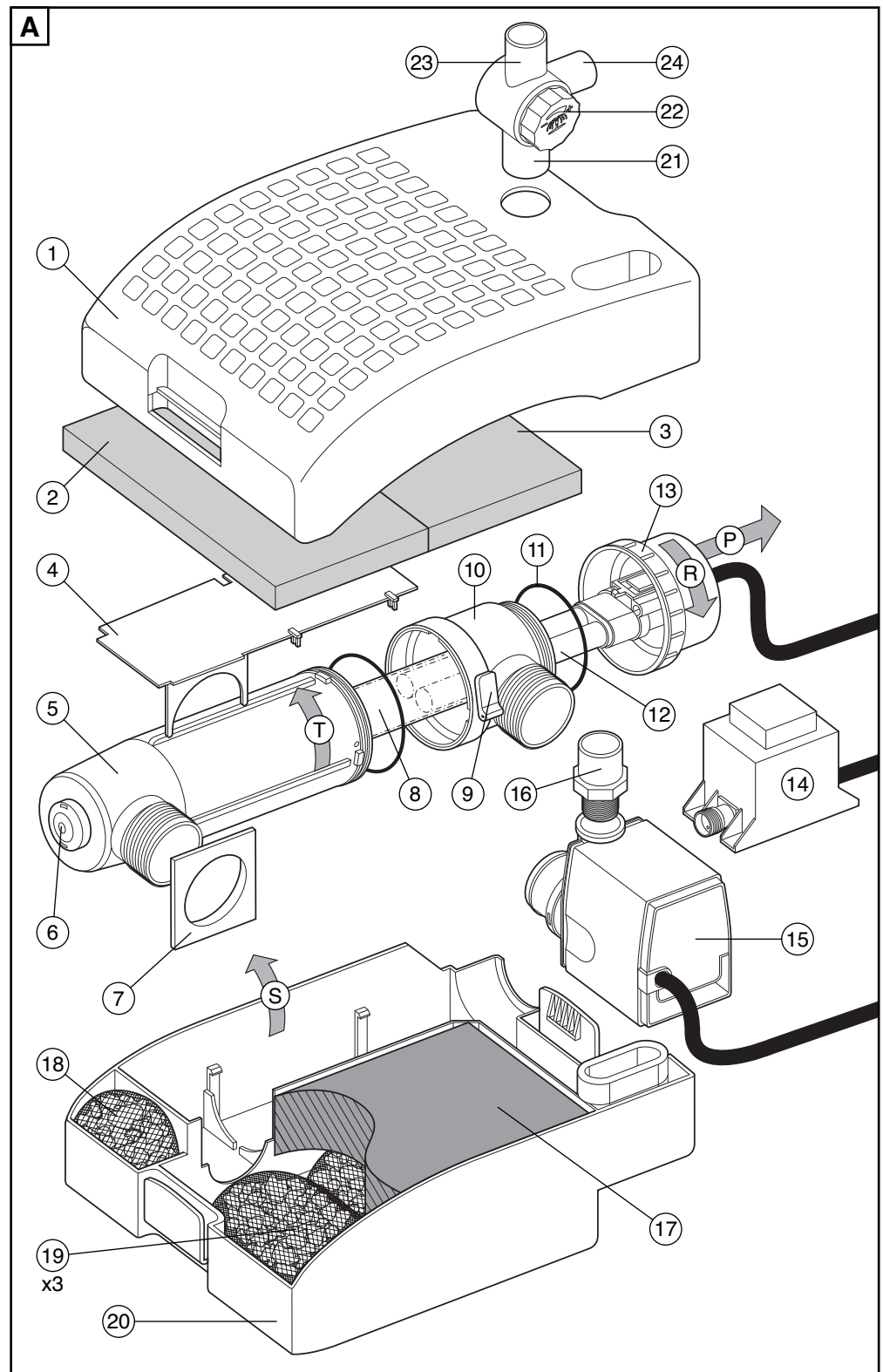
- Register your purchase on-line at www.pet-mate.com/uk (see guarantee below).
- Closely supervise children when near to pond or pond equipment.
- All electrical work must be carried out by a competent electrician.
- The product **MUST** be wired into an R.C.D./G.F.I. circuit breaker (maximum 30mA) and a 3 AMP (maximum) fuse. Ensure breaker is regularly tested in accordance with manufacturers instructions.
- Ensure that the voltage on the rating labels of the UV transformer (14) and pump motor (15) (see Fig. A) conforms with your supply voltage.
- Connection to the power supply should be made through a suitable dry weatherproofed 3 pin plug or double pole switched enclosure with minimum 3mm (1/8") contact separation in all poles. If product is hard wired to electrical supply this must comply fully with the wiring regulations of the national and local electricity authority. The pump must be protected by a 3 AMP (maximum) fuse.
- This appliance must be earthed. It is essential that all connections are securely made using the following code:
 - Brown - Live
 - Blue - Neutral
 - Green/Yellow - Earth
- UV lamps emit radiation that can be harmful to eyes and skin. When checking the UV lamp you should never look directly at the light. Only view using the lamp indicator lens (6) - see section 4B.
- Do not carry or pull the product using the supply cords.
- Disconnect electrical supply from all appliances in the pond before contact with the pond water or product.
- Do not connect power to product unless filter is fully assembled.
- Do not leave power connected unless water is running through product.
- The product is for outdoor ornamental pond use only. It must not be used for a swimming pool.
- Ensure UV transformer (14) is in a well ventilated position out of direct sunlight and well away from flammable items.
- Do not immerse UV transformer (14). If the transformer falls in the water DO NOT reach for it. Switch it off immediately and isolate completely from power supply before removing from water. Contact Pet Mate customer service for advice on re-installing product.
- Use conduit approved by your electricity authority to protect supply cord where damage from gardening equipment, children and animals may occur.
- Never run the product with damaged components or faulty electrical supply. Check plastic mouldings for damage and hairline cracks regularly.
- Discard if UV lamp holder (13), transformer (14) or pump motor (15) show visual defects (e.g. cracks or swelling).
- The supply cords of this appliance cannot be replaced; if the cord is damaged the appliance should be discarded.
- Do not allow the product to run dry.
- In freezing conditions disconnect power supplies to product, remove and drain water from product.
- The pump (15) is provided with a thermal cut-out switch that temporarily switches off the pump in case of overheating. The pump may restart when it has cooled.
- UV lamps and Quartz tubes are made from delicate glass and must always be handled with care.
- Check quartz tube (8) is not cracked if product is dropped or exposed to freezing temperatures.
- Maintain product annually with the appropriate FISH MATE parts (not included).

SAVE THESE INSTRUCTIONS

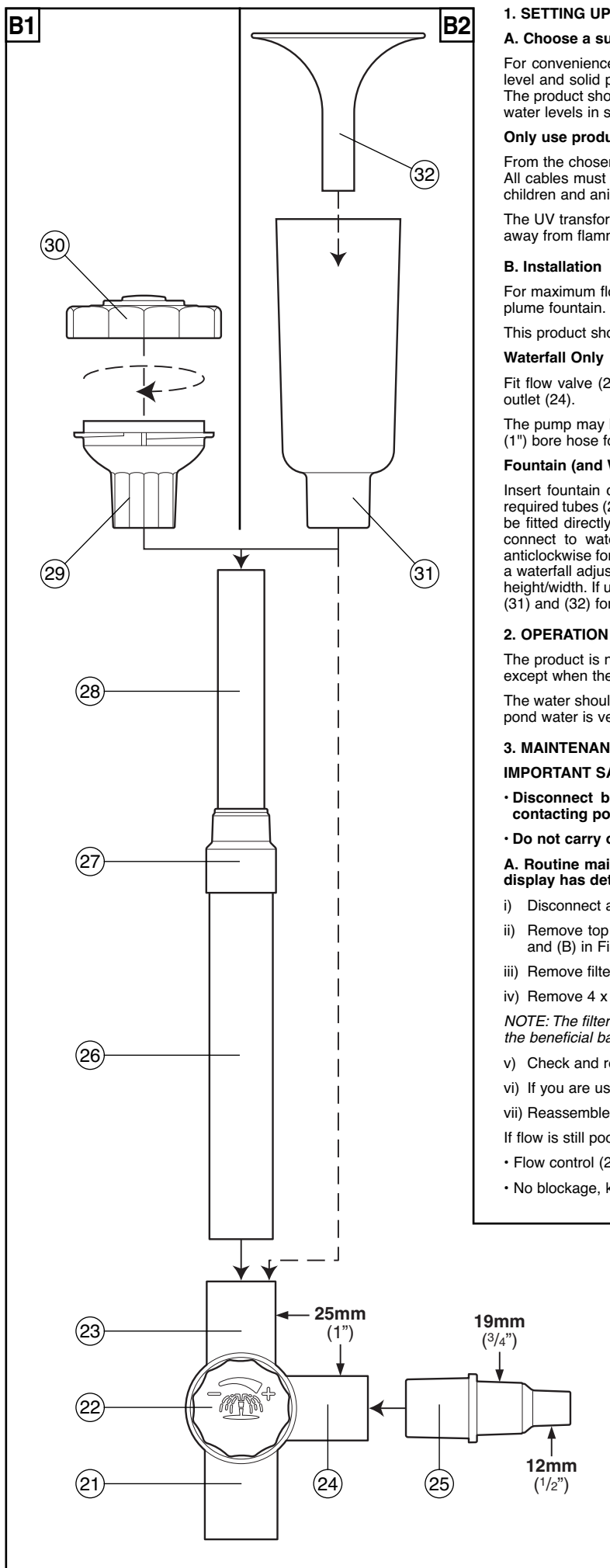
FISH MATE[®] 5000 S-UV



Instructions · Read before use



Pet Mate Ltd. guarantees your product for a period of 3 years from the date of purchase, subject to the registration of your purchase details on our website www.pet-mate.com/uk within 14 days of purchase. (If you do not have access to a computer, please send details of your purchase with copy of receipt along with your name and address.) In the event of a fault developing contact Pet Mate customer services for a returns authorisation number. The guarantee is limited to any defect arising due to faulty materials or manufacture. Any defective item will be repaired or replaced free of charge at the manufacturer's discretion, provided that the defect has not been caused by neglect, misuse or normal wear and tear. The guarantee excludes moving parts and claims arising from frost, accidental damage or loss of fish. Your statutory rights are not affected.



1. SETTING UP

A. Choose a suitable position

For convenience the product should be positioned within reach from the side of the pond on a level and solid platform (e.g. paving slabs) approximately 250mm (10") below the pond surface. The product should be at least 200mm (8") below water level to avoid problems of freezing or low water levels in summer and no more than 1000mm (40") deep.

Only use product if completely immersed in water.

From the chosen location, ensure that there is enough cable for connection to the power supply. All cables must be adequately protected using conduit against damage from garden equipment, children and animals.

The UV transformer (14) must be sited in a well ventilated position out of direct sunlight and well away from flammable items. Ensure that the transformer cannot fall into the pond.

B. Installation

For maximum flow and filtration performance we recommend that the product is operated with a plume fountain.

This product should only be used with small waterfalls less than 450mm (18") above pond level.

Waterfall Only

Fit flow valve (21) to outlet adapter (16). Turn flow control (22) fully anticlockwise for horizontal outlet (24).

The pump may be connected to a waterfall using 12mm (1/2"), 19mm (3/4") or preferably 25mm (1") bore hose for maximum flow. Insert hose adapter (25) if required and connect hose.

Fountain (and Waterfall)

Insert fountain components as shown in Fig. B1 (conventional fountain) / B2 (bell fountain). If required tubes (26) and (28) may be shortened with a hacksaw. Also bell fountain (31 and 32) may be fitted directly to outlet (23). For plume fountain do not fit any parts to tube (28). If required, connect to waterfall with hose to outlet (24). The fountain heads (30) may be unscrewed anticlockwise for cleaning. For use with fountain only turn flow control (22) fully clockwise. If using a waterfall adjust fountain height/width using the flow control (22) turning clockwise for increased height/width. If using the bell fountain you will also need to manually adjust the gap between parts (31) and (32) for the required effect. (Try starting with approximately 1mm (1/16") gap.)

2. OPERATION

The product is now ready to run. The product should be run 24 hours a day throughout the year except when there is a risk of the water freezing.

The water should start to clear in 2 to 3 weeks, but full clarification may take 1 to 2 months. If the pond water is very green a water change should be made before starting the product.

3. MAINTENANCE (see Fig. A).

IMPORTANT SAFETY INSTRUCTIONS

- Disconnect both electrical supplies from the product before removing from pond or contacting pond water.

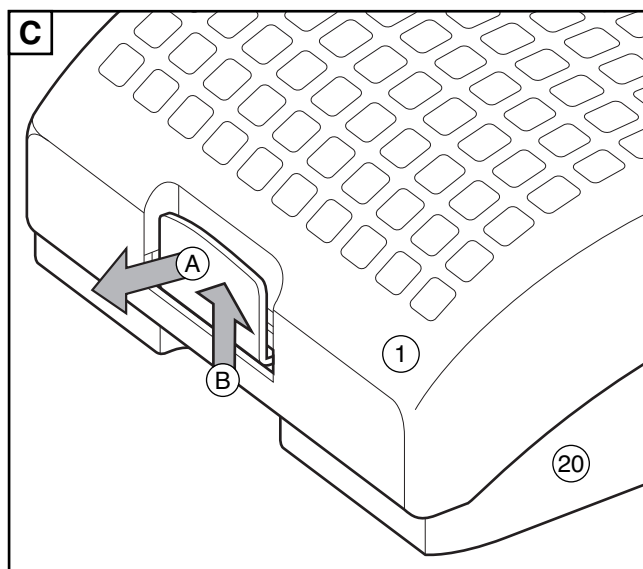
- Do not carry or pull the product by the cables.

A. Routine maintenance or when flow from the product is noticeably reduced or fountain display has deteriorated:

- Disconnect all items attached to outlet adapter (16).
 - Remove top cover (1) by releasing the retaining clips at both ends, as shown by arrows (A) and (B) in Fig. C.
 - Remove filter foams (2, 3 and 17) and clean by squeezing in a bucket of pond water.
 - Remove 4 x biological filter medium bags (18) and (19) and rinse in a bucket of pond water.
- NOTE: The filter foams and biological filter medium bags should never be cleaned in tap water as the beneficial bacteria will be killed.*
- Check and remove any obstruction to inlet of UV chamber (5).
 - If you are using a fountain, remove and clean fountain head in water with a brush.
 - Reassemble.

If flow is still poor check:

- Flow control (22) is correctly set.
- No blockage, kinks or leaks in outlet hose (if fitted).



B. If flow / fountain has stopped (check power supply first!):

Remove pump (15) and completely disassemble to the component parts as shown in Fig. D as follows:

- i) Disconnect all items attached to outlet adapter (16) and remove top cover (1) by releasing the retaining clips at both ends, as shown by arrows (A) and (B) in Fig. C.
- ii) Remove pump (15) by holding the rear of the motor and carefully lifting out from the UV outlet chamber (10) as shown by arrows (A) and (B) in Fig. E.
- iii) Remove impeller cover (34) by rotating anticlockwise.
- iv) Carefully pull out pump impeller assembly (37) and (38).
- v) After cleaning all components:
 - Check for wear of impeller (37) on shaft (38) and condition of rubber bushes (36). Replace with new pump if required.
 - Check cable and pump body (15) for any damage or deterioration and discard pump if suspected faulty.
- vi) Carefully reassemble all parts in reverse sequence.

C. Annual maintenance

In addition to the routine maintenance (section 3A) we recommend:

UV chamber and quartz tube

The UV chamber (5) and quartz tube (8) should only be cleaned if dirty.

- i) Disconnect all items attached to outlet adapter (16) and remove top cover (1) by releasing the retaining clips at both ends, as shown by arrows (A) and (B) in Fig. C.
- ii) Remove filter foams (2) and (3) and lift off UV chamber cover (4).
- iii) Flex side wall of base unit (20) as shown by arrow (S) in Fig. A and lift out complete UV chamber assembly (5, 10 and 13) carefully pulling UV outlet chamber (10) away from pump (15).
- iv) Release retaining clip (9) and remove UV outlet chamber (10) by turning UV inlet chamber (5) firmly in direction of arrow (T, Fig. A) while holding UV outlet chamber (10) to reveal quartz tube (8).
- v) Clean out UV inlet chamber (5). Carefully clean quartz tube (8) using a non-scratch scouring pad.
- vi) Re-fit UV inlet chamber (5) to UV outlet chamber (10) ensuring that inlet / outlet are aligned.
- vii) Carefully reassemble taking care to clip the complete UV assembly (5, 10 and 13) into base unit (20).

UV lamp replacement

The UV output of the lamp (12) reduces over time and after 12 months running should be replaced. Note that the UV lamp will carry on giving off violet light well after the UV light that kills the algae has stopped. We recommend the lamp is replaced at the start of summer so that it is at its most efficient when the need is greatest.

• **For safety the filter is fitted with a low voltage UV lamp, ensure that the replacement lamp type is 12V / 11W.**

- i) Disconnect all items attached to outlet adapter (16) and remove top cover (1) by releasing the retaining clips at both ends, as shown by arrows (A) and (B) in Fig. C.
- ii) Remove filter foams (2) and (3) and lift off UV chamber cover (4).
- iii) Flex side wall of base unit (20) as shown by arrow (S) in Fig. A and lift out complete UV chamber assembly (5, 10 and 13) carefully pulling UV outlet chamber (10) away from pump (15).
- iv) Remove UV lamp holder (13) from UV outlet chamber (10) by turning as shown by arrow (R) in Fig. A.
- v) Remove UV lamp (12) by pulling away from UV lamp holder (13). Pull the UV lamp (12) straight out in the direction shown by arrow (P) in Fig. A.
- vi) Confirm that your new FISH MATE UV lamp voltage/wattage is correct by checking that the voltage/wattage on the UV lamp (12) is the same as the old part.

vii) Fit new UV lamp (12) by pushing into UV lamp holder (13).

viii) Re-fit UV lamp holder (13) onto UV outlet chamber (10) ensuring UV chamber O-ring (11) is in place in groove at end of UV outlet chamber (10).

ix) Carefully reassemble taking care to clip the complete UV assembly (5, 10 and 13) into base unit (20).

4. TROUBLE SHOOTING

A. Water does not clear

- The water should start to clear in 2 to 3 weeks, but full clarification may take 1 to 2 months. If the pond water is very green a partial water change should be made before starting the filter. Thereafter the filter will keep the water clear.
- If the UV lamp (12) is over 12 months old replace with new FISH MATE UV lamp.
- Check UV lamp is working (see section 4B). Never look at the UV lamp (12) directly as it produces UV-C light which may be harmful to the eyes and skin.
- Check that you have selected the correct size filter for your pond (see carton).
- Check that the filter is being run 24 hours a day throughout the year except when there is a risk of the water freezing.
- Set flow control (22) to maximum flow and use a plume fountain.
- Check quartz tube (8) is not dirty. Clean carefully if necessary.
- Do not feed your fish more food daily than they can consume in 2-3 minutes. We recommend the use of our FISH MATE automatic fish feeders - specially designed for safe feeding of fish.
- Do not use a lawn or pond plant fertiliser.

B. Testing the lamp

WARNING: UV lamps emit radiation that can be harmful to eyes and skin. When checking the UV lamp you should never look directly at the light. Only view using the lamp indicator lens (6).

• Test that the UV lamp is functioning as follows:

- i) Disconnect electrical supply to filter and remove from pond.
- ii) Disconnect all items attached to outlet adapter (16) remove top cover (1) by releasing the retaining clips at both ends, as shown by arrows (A) and (B) in Fig. C.
- iii) Remove filter foams (2) and (3) and lift off UV chamber cover (4). **DO NOT lift out UV chamber assembly (5, 10 and 13) or remove foams (17) and (18).**
- iv) Connect the UV transformer (14) **ONLY** to power supply.
- v) Confirm that the UV lamp is working by looking at the lamp indicator lens (6).

NOTE: Only a small amount of safe light will be coming through the lamp indicator lens (6) so you may have to cup your hands over the indicator.

C. Blanket weed

- This filter will not eliminate blanket weed.
- Increased use of plants in the pond may be beneficial.
- Do not use lawn or pond plant fertiliser.

D. The flow coming out of the filter has reduced over time

- The flow will naturally reduce as the filter gets dirty.
- Perform routine maintenance (see section 3A).

NOTE HERE DATE FOR NEXT SCHEDULED MAINTENANCE

