

# FISH MATE® 18000



Pond Pump · Instructions

[www.pet-mate.com](http://www.pet-mate.com)

+44 (0)1932 700 001

## IMPORTANT SAFETY INSTRUCTIONS

**WARNING - To guard against injury or death, basic safety precautions should be observed, including the following:**

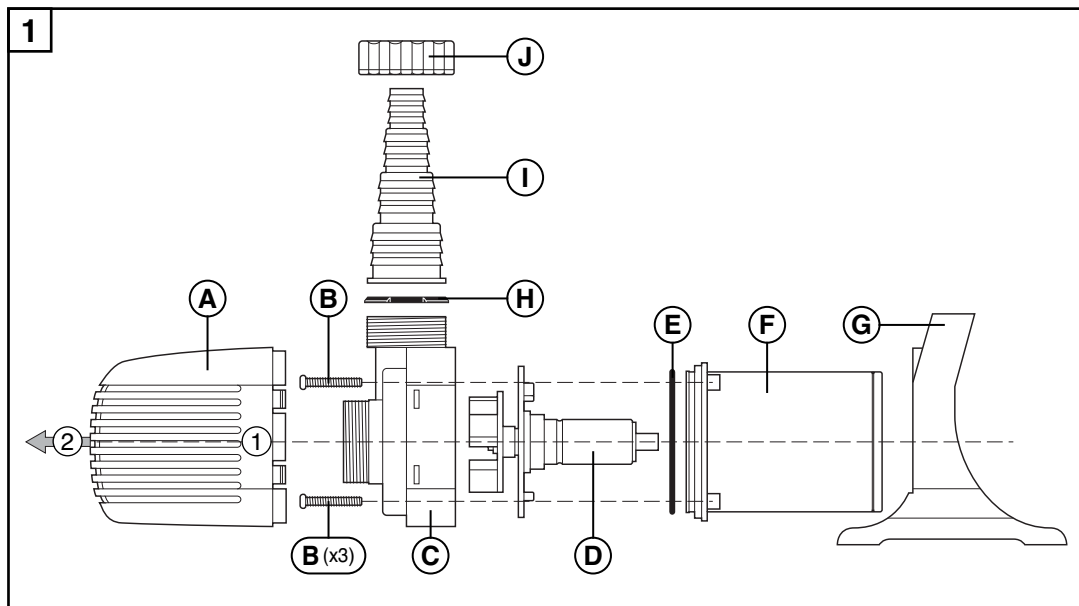
## READ AND FOLLOW ALL SAFETY INSTRUCTIONS

- Register your purchase on-line at [www.pet-mate.com/uk](http://www.pet-mate.com/uk) (see guarantee below).
- All electrical work must be carried out by a competent electrician.
- Check that the voltage label on the motor (F) (see Fig. 1) conforms with your supply voltage.
- The pump MUST be wired into an R.C.D./G.F.I. circuit breaker (maximum 30mA) and a 3 AMP (maximum) fuse. Ensure breaker is regularly tested in accordance with manufacturers instructions.
- Connection to the power supply should be made through a suitable dry weatherproofed 3 pin plug or double pole switched enclosure with minimum 3mm (1/8") contact separation in all poles. If product is hard wired to electrical supply this must comply fully with the wiring regulations of the national and local electricity authority. The pump must be protected by a 3 AMP (maximum) fuse.
- This appliance must be earthed. It is essential that all connections are securely made using the following code:

Brown - Live  
Blue - Neutral  
Green/Yellow - Earth

- Do not carry or pull the pump using the supply cord.
- Disconnect electrical supply from all appliances in the pond including pumps and filters before contact with the pond water or pump.
- Maximum operation depth is 1.5m (5').
- Closely supervise children when near to pond or pond equipment.
- Use pump only for ponds - do not use pump in connection with swimming pools, showers, etc.
- Use conduit approved by your electricity authority to protect supply cord where damage from gardening equipment, children and animals may occur.
- Discard pump if motor (F) shows visual defects (e.g. cracks or swelling).
- The supply cord of this appliance cannot be replaced; if the cord is damaged the appliance should be discarded.
- Do not allow the pump to run dry.
- Do not operate the pump in freezing conditions. Remove, disassemble and dry pump if there is a risk of pump being frozen.
- This pump is provided with a thermal cut-out switch that temporarily switches off the pump in case of overheating. The pump may restart when it has cooled.

## SAVE THESE INSTRUCTIONS



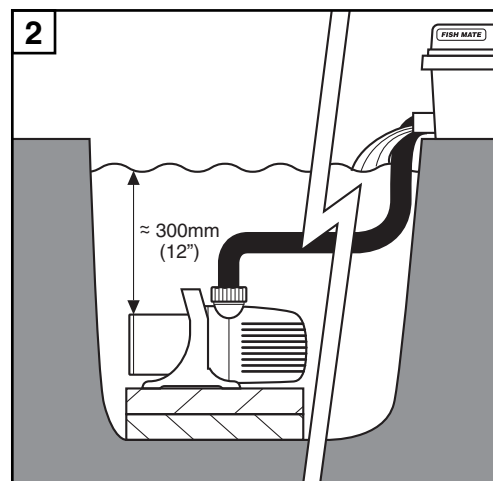
## IMPORTANT - READ BEFORE USE

### 1. PUMP INSTALLATION

For convenience the pump should be positioned within reach of the side of the pond on a solid platform (e.g. paving slabs) approximately 300mm (12") below the pond surface. The pump must be at least 200mm (8") below water level to avoid problems of freezing and low water levels in summer. Never operate pump unless completely submerged. Avoid positioning the pump at the bottom of the pond where pond debris will accumulate and maintenance will be difficult. A typical installation with filter/waterfall is shown in Fig. 2.

For use with a pond filter you will often get improved results with the pump sited at the opposite end of the pond to the filter return.

The pump may be connected to a waterfall or filter using 25mm (1"), 32mm (1 1/4"), 38mm (1 1/2") or 50mm (2") bore hose with hose adapter (I). For maximum flow use 50mm (2") hose. If using 32mm (1 1/4"), 38mm (1 1/2") or 50mm (2") bore hosing, cut the hose adapter (I) along the appropriate groove removing the smaller diameter section to allow maximum flow (see Fig. 3).



### 2. MAINTENANCE/FAULT FINDING.

#### IMPORTANT SAFETY INSTRUCTIONS

- **Disconnect electrical supply from pump before removing from pond or contacting pond water.**
- **Do not carry or pull the pump by the cable.**

#### A. When flow from your pump is noticeably reduced:

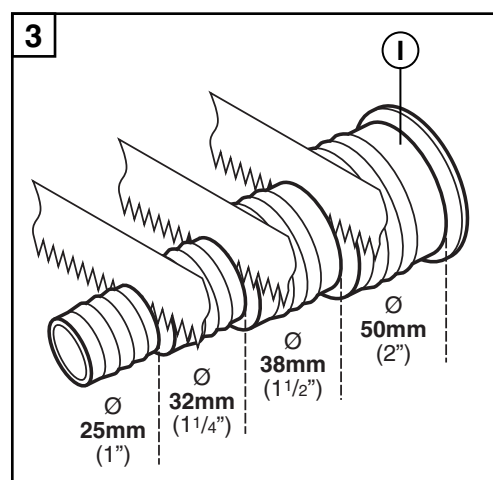
- Remove strainer cover (A) by squeezing both sides at point ① and pulling off as shown by arrow ② in Fig. 1.
- Clean cover (A) with a brush and hose. Remove any weed or blockage around pump chamber (C).
- Reassemble.

If flow is still poor check to see if outlet pipe has become kinked or blocked. If not then refer to section 2.B. below.

#### B. If flow is stopped (check power supply first!):

If the pump fails to start, turn power off for 1 hour and then retry, as the problem may only be due to temporary overload.

If the problem persists contact the Pet Mate Customer Helpline.



Pet Mate Ltd. guarantees your product for a period of 3 years from the date of purchase, subject to the registration of your purchase details on our website [www.pet-mate.com/uk](http://www.pet-mate.com/uk) within 14 days of purchase. (If you do not have access to a computer, please send details of your purchase with copy of receipt along with your name and address.) In the event of a fault developing contact Pet Mate customer services for a returns authorisation number. The guarantee is limited to any defect arising due to faulty materials or manufacture. Any defective item will be repaired or replaced free of charge at the manufacturer's discretion, provided that the defect has not been caused by neglect, misuse or normal wear and tear. The guarantee excludes moving parts and claims arising from frost, accidental damage or loss of fish. Your statutory rights are not affected.